



## FEDERATION INTERNATIONALE DE L' AUTOMOBILE

### Appendix to the 2010 FIA Formula One Technical Regulations

The purpose of this Appendix is to provide information about the practices and procedures in use by the FIA when carrying out checks under the regulations. It is for information only and does not form part of the regulations themselves. In general, any changes deemed necessary by the FIA Technical Department will come into force 90 days after publication, or sooner in consultation with the Formula One Technical Working Group.

#### Index

Page	Article	Concerning
2	6.1.1	Approved FT5 fuel bladder materials
3	6.1.4	Approved FT5 fuel bladder manufacturers
4	6.6.3	Fuel sampling hose
5	7.5	Water system pressure relief valve
6	8.10	Medical Warning Light
7	9.9.5	KERS status light
8-12	10.3.6	Wheel tether test procedure
13	14.1.2	Approved extinguishants
14	14.1.3	Extinguishant quantities
15	14.1.5	Extinguishant pressures
16-17	14.5	Rear light specification
18	14.6.1	Approved headrest materials
19	14.6.5	Approved headrest installation system
20	14.6.7	Approved leg padding material
21-23	14.8.4	Extractable seat specifications
24-25	15.1.2	Test specification for and definition of metallic materials
26-27	15.4.7	Additional side intrusion panels
28-29	16.1.1	Impact test specification
30	16.1.2	Parts to be fitted to the crash structure for impact tests
31-34	16.4	Specification of the side impactor
35-36	18.6.1	Side intrusion test procedure
37	19.8.1	Formula One fuel sampling procedure
38		Track side fuel conformity procedure
39-43	20.2	Camera housing weights and dimensions
44-45	20.4	Timing transponder fitting instructions
46-62		Drawings

## Article 6.1.1

The following are the only materials approved by the FIA for use in the manufacture of fuel bladders to FIA/FT5-1999 specification :

**Manufacturer** AERO TEC LABORATORIES

**Materials** ATL-818-D  
ATL-818-D (Issue 2003)

**Manufacturer** PREMIER FUEL SYSTEMS

**Material** Kevlar F228

**Manufacturer** PRONAL

**Material** 39387/02396

## Article 6.1.4

The list of manufacturers approved to produce fuel bladders to the FIA/FT5-1999 specification are :

### **Aero Tec Laboratories**

Spear Road Industrial Park  
Ramsey  
NJ 07446  
USA

Tel + 1 201 825 1400  
Fax + 1 201 825 1962

40 Clarke Road  
Mount Farm Industrial Estate  
Bletchley  
Milton Keynes  
MK1 1LG  
United Kingdom

Tel + 44 1908 270590  
Fax + 44 1908 270591

### **FPT Industries**

The Airport  
Portsmouth  
Hants PO3 5PE  
United Kingdom

Tel  
Fax

### **Premier Fuel Systems Limited**

Willow Road  
Trent Lane Industrial Estate  
Castle Donington  
Derby DE7 2NP  
United Kingdom

Tel + 44 1332 850515  
Fax + 44 1332 850749

### **Pronal**

Rue du Trieu du Quesnoy  
ZI de Roubaix-Est  
59115 Leers  
France

Tel + 33 3 20 99 75 00  
Fax + 33 3 20 99 75 20

### Article 6.6.3

The fuel sampling hose comprises a tube approximately 2000mm long x 4.6 mm internal diameter with a "-2" female snap fit connector at one end and a valve at the other end attached to a 200 mm long piece of stainless steel tubing of 4.6 mm internal diameter.

## Article 7.5

Details of the FIA approved water pressure relief valve are as follows :

Manufacturer : Circle Seal Controls, Inc.  
Model Number : 532A-2MP-3.75 Bar g  
Seal Material : Viton  
Temperature Range : -20 °F to 400 °F

Supplier:

TAMO LIMITED  
Crown Business Centre  
195 Horton Road  
West Drayton  
Middlesex UB7 8HB

Tel + 44 (0)1895 859700  
Fax + 44 (0)1895 859888

Contact : Jim Pearce

# Article 8.10

Details of the FIA approved Medical Warning Light are as follows :

DRAWING NO <b>PAN7976</b>	ISS <b>2</b>	ISI MODIFICATION 1 ORIGINAL ISSUE 2 69707	DRN DATE MH 25/10/06 MH 02/10/07
------------------------------	-----------------	---	--

ORDER CODE	COLOUR	LENS	VOLTAGE DC (MAX)	CURRENT DC (TYP) @ INT. (TYP)	LUMINOUS INT. @ 20mA Iv	WAVE LENGTH λd	VIEWING ANGLE 2 θ 1/2	OPERATING TEMP. @ Iopr	STORAGE TEMP. Tstg
695-930-52-50	BLUE	SMOKED	5	45	3500	470	45	-30 to +60	-40 to +100
UNITS			V	mA	mcd	nm	deg	°C	°C

**NON-MAINTAINED COPY**

02 APR 2008

**DESCRIPTION:**  
 A 5Vdc LED PANEL INDICATOR TO FIT A STANDARD 12.7mm (1/2") DIA. PANEL CUT-OUT.  
 THE 5mm DIA. LED IS HOUSED IN A CNC MACHINED ALUMINIUM BEZEL, ANODISED NATURAL TO DEFENCE STANDARDS. THE INDICATOR HAS A LOW PROFILE BEZEL, AND THE INTERNAL CIRCUITRY IS FULLY ENCAPSULATED TO ENSURE A ROBUST, RELIABLE PRODUCT.  
 SUPPLY VOLTAGE IS 5Vdc, INCORPORATING REVERSE VOLTAGE PROTECTION TO 1000Vdc. TERMINATIONS ARE VIA A 1500mm FLYING LEAD, 2 x TWISTED CORES WITH PROTECTIVE SLEEVING.  
 DRIVE CHARACTERISTICS: 20ms HARD ON SEPARATED BY 250ms OFF.

**MATERIAL SPECIFICATION:**  
 BODY: ALUMINIUM 6063 NATURAL ANODISED TO DEF. STAN 03/25.  
 NUT: ALUMINIUM HE30 NATURAL ANODISED TO DEF. STAN 03/25.  
 PANEL WASHER: VITON  
 LOCK WASHER: ZINC PLATED STEEL  
 ENCAPSULATION: POLYURETHANE  
 TERMINATION: 2 x TWISTED SINGLE CORES RAYCHEM SPEC 55 WIRE WITH RAYCHEM DR-25 PROTECTIVE SLEEVING. POLARITY, RED +VE, BLUE -VE.

**SEALING:**  
 BS EN 60529 : 1992 IP67  
 MIN. CLEARANCE BEHIND PANEL: 60mm  
 MOUNTING HOLE: Ø12.7mm  
 MIN. MOUNTING CENTRES: 19.5mm  
 PANEL THICKNESS (MIN/MAX): 2mm/10mm  
 MOUNTING TORQUE: 1.0Nm

**IF IN DOUBT ASK. DO NOT SCALE**

Model Name ASS7975  
 SHEET 1 OF 1 DRAWING NO PAN7976 ISS 2

# Article 9.9.5

The light shown below may be used for KERS status warning :

DRAWING NO <b>PAN7976</b>	ISS <b>4</b>	DRN   DATE MH   25/10/06 MH   02/10/07 NO   14/01/08 RW   19/02/09	ISS MODIFICATION 1 ORIGINAL ISSUE 2 6/9/07 3 01/08 4 16/09		SCALE: 2:1										
ORDER CODE    COLOUR    LENS		VOLTAGE DC (MAX) Vopr		CURRENT DC (TYP) @ Vopr Iopr		LUMINOUS INT. (TYP) Iv @ 20mA		WAVE-LENGTH λd		VIEWING ANGLE 2 θ 1/2		OPERATING TEMP. @ Iopr 20mA Topr		STORAGE TEMP. Tstg	
695-930-52-50    BLUE    SMOKED		5		45		3500		470		15		-30 to +60		-40 to +100	
695-532-52-50    GREEN    SMOKED		5		45		12000		525		15		-30 to +60		-40 to +100	
695-532-41-50    GREEN    SMOKED		8		45		12000		525		15		-30 to +60		-40 to +100	
UNITS		V		mA		mcd		nm		deg		°C		°C	
DESCRIPTION: A LOW VOLTAGE LED PANEL INDICATOR TO FIT A STANDARD 12.7mm (1/2") DIA. PANEL CUT-OUT. THE 5mm DIA. LED IS HOUSED IN A CNC MACHINED ALUMINIUM BEZEL, ANODISED NATURAL TO DEFENCE STANDARDS. THE INDICATOR HAS A LOW PROFILE BEZEL, AND THE INTERNAL CIRCUITRY IS FULLY ENCAPSULATED TO ENSURE A ROBUST, RELIABLE PRODUCT. SUPPLY VOLTAGES ARE 5Vdc & 8Vdc, INCORPORATING REVERSE VOLTAGE PROTECTION TO 1000Vdc. TERMINATIONS ARE VIA A 1500mm FLYING LEAD, 2 x TWISTED CORES WITH PROTECTIVE SLEEVING. DRIVE CHARACTERISTICS: 20ms HARD ON SEPARATED BY 250ms OFF.															
MATERIAL SPECIFICATION: BODY: ALUMINIUM 6063 NATURAL ANODISED TO DEF. STAN 03/25. NUT: ALUMINIUM HE30 NATURAL ANODISED TO DEF. STAN 03/25. PANEL WASHER: VITON LOCK WASHER: ZINC PLATED STEEL ENCAPSULATION: POLYURETHANE TERMINATION: 2 x TWISTED SINGLE CORES RAYCHEM SPEC 55 WIRE WITH RAYCHEM DR-25 PROTECTIVE SLEEVING. POLARITY, RED +VE, BLUE -VE.															
SEALING: MIN. CLEARANCE BEHIND PANEL: 60mm MOUNTING HOLE: Ø12.7mm MIN. MOUNTING CENTRES: 19.5mm PANEL THICKNESS (MIN/MAX): 2mm/10mm MOUNTING TORQUE: 1.0Nm BS EN 60529 : 1992 IP67															
IF IN DOUBT ASK, DO NOT SCALE															
Model Name ASS7975 SHEET 1 OF 1 DRAWING NO PAN7976 ISS 4															
SPECIFICATION FOR LOW PROFILE PANEL LAMP 695 SERIES															
MARL INTERNATIONAL LTD ULVERSTON CUMBRIA LA12 9BN TEL: 01229 569400 FAX: 01229 569106 EMAIL: design@marl.co.uk															
TOLERANCE/SCALE UOS LINEAR ±0.5 ANGULAR N/A ORIG. SCALE NTS															
DRN: MH DATE: 17/10/06 CH1: CH2: M.E.C.															
ALL DIMENSIONS IN MM ALL DIMENSIONS															
THIS DRAWING IS AN ILLUSTRATION OF THE PRODUCT AS SUPPLIED AND DOES NOT REPRESENT THE EXACT DIMENSIONS OF THE PRODUCT AS SUPPLIED. DIMENSIONS ARE GIVEN UNLESS OTHERWISE SPECIFIED.															

## Article 10.3.6

Wheel tethers will be tested using the following test procedure :



### FIA TEST SPECIFICATION 03/07 FOR FORMULA ONE WHEEL RESTRAINT CABLES

#### 1. SCOPE

Wheel restraint systems are important to improve protection to the drivers and the personnel (spectators and officials) within the proximity of the race event. It has been shown that during an accident a wheel may be ejected at velocities in excess of 150km/h (42m/s) relative to the car, which corresponds to a linear kinetic energy of 17kJ for a 20kg wheel assembly.

This specification provides test methods, criteria and limits to assess the performance of wheel restraint systems to ensure that the potential for wheel ejection is reduced.

During early development work, an advanced wheel restraint system was considered in two parts; an energy absorbing unit and a connecting tether. However, the latest research has demonstrated that an integrated tether can absorb the required energy without the need for a separate energy absorbing unit. And, therefore, an integrated tether is the preferred solution. Other designs may be acceptable, but the geometry and function must be approved by the FIA before submitting for certification.

A definition of the key components is provided below.

#### 2. DEFINITIONS

##### 2.1 Wheel Assembly

Those parts, likely to include the wheel, tyre, upright, brake calliper and brake disk, that are considered to be a single projectile during a wheel ejection event.

##### 2.2 Wheel Restraint Cable (Tether)

Flexible load carrying element that connects the wheel assembly to the main structure of the car and that provides the required strength and energy absorbing capability.

##### 2.3 Energy Absorber

The energy absorbing capability of the tether. A separate energy absorbing element may be permitted but must be approved by the FIA before submitting for certification.



## 2.4 Tether End Fitting

Feature at each end of the tether to facilitate attachment to the car and the wheel assembly. The tether end fitting may include a bobbin if this represents the in-car conditions.

*The in-board-tether-end-fitting connects to the car chassis*

*The out-board-tether-end-fitting connects to the wheel assembly*

## 2.5 Tether Attachment

Attachment between the tether end fitting and the main structure of the car that achieves the strength and geometrical requirements defined by the Technical Regulations.

## 2.6 Tether Sliding Surface

Rigid structure that represents the local structure of the car over which the tether must slide if the wheel is ejected in any direction normal to the axis of rotation of the rear wheels.

# 3. PERFORMANCE ASSESSMENT

## 3.1 Wheel Restraint Cable Test

The performance of the wheel restraint system shall be measured in accordance with the dynamic tests defined in Appendix A.

### 3.1.1. One Wheel Restraint Cable (per wheel assembly)

During the tensile tests and tether sliding surface tests, the following performance shall be achieved by all test samples;

*The energy absorption shall not be less than 6kJ over the first 250mm of displacement.*

*The peak force shall not exceed 70kN (CFC 1000) over the first 250mm of displacement.*

### 3.1.2. Two Wheel Restraint Cables (per wheel assembly)

During the tensile tests and tether sliding surface tests, the following performance shall be achieved by all test samples;

*The energy absorption shall not be less than 3kJ over the first 250mm of displacement.*

*The peak force shall not exceed 70kN (CFC 1000) over the first 250mm of displacement.*

## APPENDIX A: WHEEL RESTRAINT CABLE TEST PROCEDURE

### A1. Apparatus

An appropriate test apparatus is shown in Figures A1 and A2.

The aim of the test is to dynamically load the tether in a tensile direction, in order to determine the strength, elongation and energy absorbing characteristics. The tests shall be conducted using a dynamic sled apparatus based on the Formula One frontal impact test. The mass of the sled shall be 780kg  $\pm$  7.8kg.

Two tether attachments shall be provided; one fitted to the sled and one fitted to a ground anchor within a close proximity to the sled. The position of the sled tether attachment point relative to the CoG of the sled shall be chosen to prevent excessive torque loadings to the sled. The position of the ground anchor tether attachment point shall achieve the tether angle requirements defined in A1.1 and A1.2. The tether attachments shall reproduce the in-car fixing method as defined by the Technical Regulations. The tether manufacturer may provide a bobbin arrangement if this represents the in-car fixing method.

During the test, the entire kinetic energy of the sled shall be directed into the tether end fittings to load the tether in tension. The tether shall move with the sled during the pre-impact phase with the in-board tether end fitting engaged with the sled tether attachment. At the *point of impact*, the out-board tether end fitting shall engage with the ground anchor tether attachment. As the tether is loaded the sled will be decelerated. The motion of the sled shall be otherwise unrestrained until the displacement of the sled has exceeded 500mm from the *point of impact*. After this time, the sled may be arrested using crush tubes or any other appropriate device.

Two loading configurations are prescribed

#### **A1.1 Tensile Test (0°)**

During the tensile test, the tether shall be loaded between two points only; the sled attachment point and the ground anchor attachment point. At the *point of impact*, the angle between the major axis of the tether and the axis of the sled shall not exceed 20°.

#### **A1.2 Tether Sliding Surface Test (90°)**

During the tether sliding surface test, the tether shall be loaded at three points; the sled attachment point, the tether sliding surface and the ground anchor attachment point. The tether sliding surface shall be a solid steel cylinder with a diameter of 25mm and a length of at least 100mm. The major axis shall be perpendicular to the axis of the tether. At the impact point, the distance between the in-board end of the tether and the centre of the Tether Sliding Surface shall be 115mm ± 15mm. The apparatus shall be configured such that the tether is flexed through 90° ± 5° around the tether sliding surface. At the *point of impact*, the angle between the out-board section of the tether and the axis of the sled shall not exceed 20°.

### **A2. Test Samples**

The test samples shall include the tether and the tether end fittings. The test samples shall have a length of 600mm ± 15mm measured between the centres of the tether end fittings.

### **A3. Environmental Conditioning**

The FIA may require that polymeric tethers are conditioned before testing as follows;

Temperature:	100°C for 24 hours
Moisture:	Immersed in water 25°C for 48 hours
Ultra-violet:	250mm from 125V xenon-filled quartz lamp for 48hours

### **A4. Instrumentation**

The apparatus shall be fitted with a single axis load cell to measure the force exerted at the out-board tether end fitting along the direction of the tether. The sensitive axis of the load cell must be aligned with the axis of the tether ± 5° at the *point of impact*. It is understood that during the impact event, the angle of the tether will change as the tether extends. However, the sensitive axis of the load cell shall be fixed at the *point of impact* position.

A method of measuring the velocity of the sled immediately before the *point of impact* shall be provided. The sled shall be fitted with an accelerometer to measure the fore-aft acceleration during the impact event.

All instrumentation shall conform to SAE J211 (latest revision) with a channel frequency class (CFC) of 1000. The sampling frequency shall be at least 20,000Hz.

## A5. Test Procedures

### Test A5.1. Wheel Restraint Tensile Test

The test samples shall be fitted to the sled with the in accordance with the tensile test configuration as described in A1. The impact velocity shall be at least 14m/s. The tests shall be conducted on two test samples and the results shall be reported as defined in A6.

### Test A5.2. Wheel Restraint Tether Sliding Surface Test

The test samples shall be fitted to the sled with the in accordance with the tether sliding surface test configuration as described in A1. The impact velocity shall be at least 14m/s. The tests shall be conducted on two test samples and the results shall be reported as defined in A6.

## A6. Results

The results shall include:

- (a) Length of test sample (mm)
- (b) Diameter (or x-sectional area) of test sample (mm or mm<sup>2</sup>)
- (c) Mass of test sample (g) including end fittings
- (d) Actual impact velocity (m/s)
- (e) Acceleration-time history of the sled CFC60 (g, ms)
- (f) Velocity<sup>1</sup>-time history of the sled (m/s, ms)
- (g) Force-time history for tether showing peak force CFC1000 (N, ms)
- (h) Force-displacement<sup>2</sup> history for tether CFC1000 (N, mm)
- (i) Energy<sup>3</sup> absorbed over first 250mm

1. The velocity shall be calculated by single integration of acceleration
2. The displacement shall be calculated by double integration of acceleration
3. The energy shall be calculated by integration of force with respect to displacement

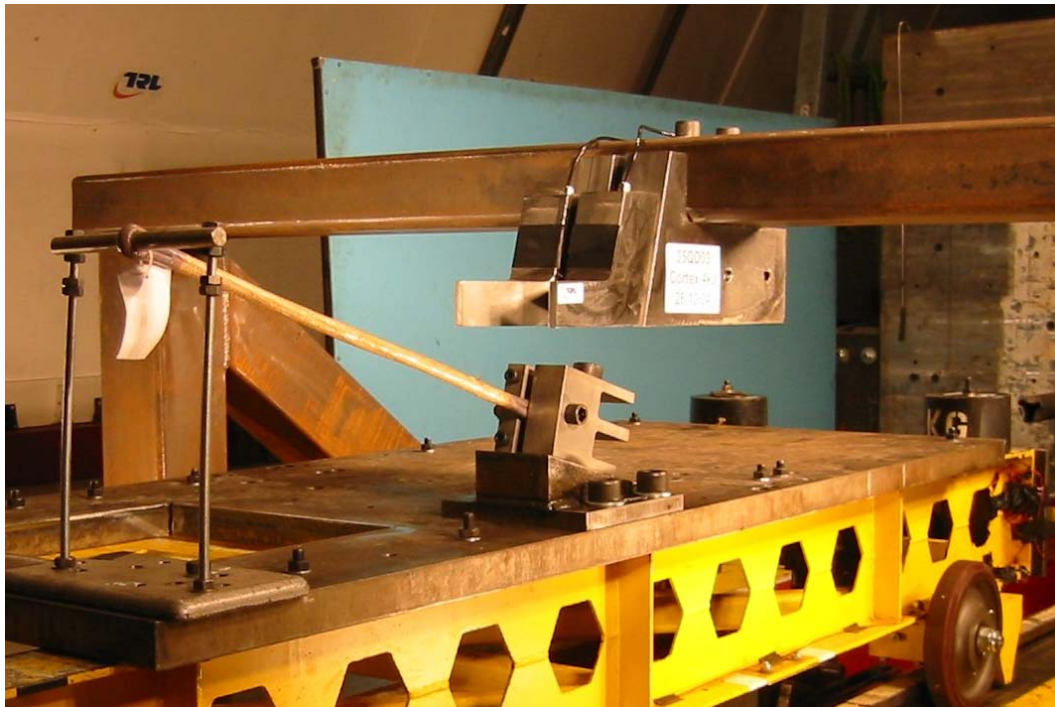


Figure A1. Test apparatus for 0° (tensile) tests on wheel restraint cables

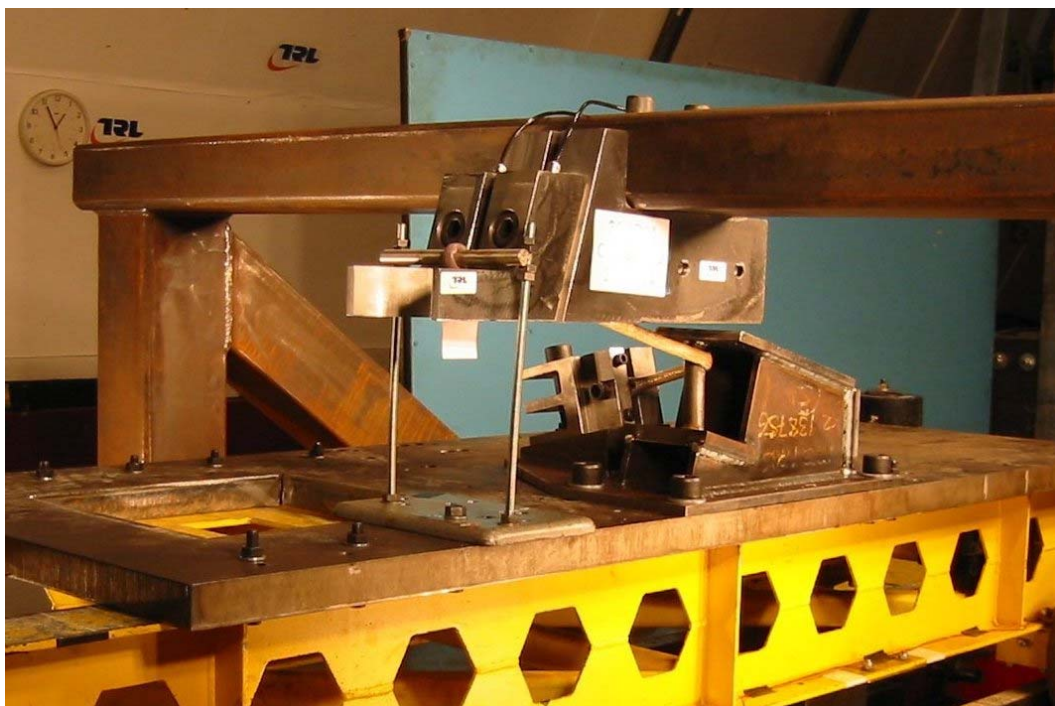


Figure A2. Test apparatus for 90° (tether sliding surface) tests on wheel restraint cables

## Article 14.1.2

The following extinguishants are approved for use in Formula One cars :

<b>Company</b>	<b>Product</b>
SPA Design	SPA Lite
Chubb Fire	Spray Lance
OMP	Ecolife
Total Walther	Microdrop Arc 3x6
Hi Tech	AFFF
Safety Devices	AFFF
Kingdragon	Hydral AFFF
Werner GmbH	Wema AFFF
Lifeline	Zero 2000
Sparco	Eco-Sir
AP Sport	Exteco
Taifun	Safetydrive III
BRB/QUELL	3M Light Water
FEV	AFFF
	FX G-TEC
Mistec	AFFF

## Article 14.1.3

The following volumes (in litres) of extinguishant are required :

- ❶ : SPA Lite - Zero 2000 - Spray Lance - Eco-Sir - Ecolife – FEV AFFF - Safety Devices
- ❷ : HiTech - Mistec

	❶	FEV FX G-TEC	Wema AFFF	Exteco	Safetydrive 3	Arc 3x6	3M L. Water	Hydral AFFF	❷
Cockpit	1.65	n/a	4.7	2	4.8	5	same	4.7	2.20
Engine	3.30	n/a	4.7	4	engine +cockpit	5	same	4.7	3.30

With reference to the above Article, the following quantities (in kg) of extinguishant are required :

Cockpit	1.12	1.7	4	1.15	4	4	same	4	1.75
Engine	2.25	Engine +cockpit	4	2.3	engine +cockpit	4	same	4	3.0

## Article 14.1.5

Depending upon the product, extinguishers should be pressurised as follows :

Product	Fill Pressure	Temperature limits
SPA Lite	7.0 bar	-15°C / +60°C *
Zero 2000	12.0 bar	-5°C / + 45°C *
Spray Lance	10.0 bar	-11°C / +55°C *
Wema AFFF A1, B1	14.0 bar	-15°C / +60°C
Wema AFFF A2, B2	14.0 bar	+4°C / +60°C
Eco-Sir	12.0 bar	+20°C /
Ecolife	12.0 bar	-20°C /
Exteco	12.0 bar	-20°C / +100°C
Safetydrive III	15.0 bar	0°C / +50°C
Arc 3x6	16.0 bar	+4°C / +60°C (without antifreeze) -20°C / +60°C (with antifreeze)
3M Light Water	10.3 bar	+4°C / +60°C
Hi Tech	12.0 bar	-6°C / +60°C
FEV AFFF	9.0 bar	-5°C / +60°C -10°C / +60°C
FEV G-TEC	n/a	
Safety Devices	9.0 bar	-5°C / +60°C -10°C / +60°C
Mistec	12.0 bar	-6°C / +60°C
Hydral AFFF	14.0 bar	-15°C / +60°C

\* Special options available

# RAINLIGHT 2

## HIGH INTENSITY LED LIGHT WITH CAN



The Rainlight 2 is a high intensity LED based light with CAN connectivity for use at the rear of an F1 car.

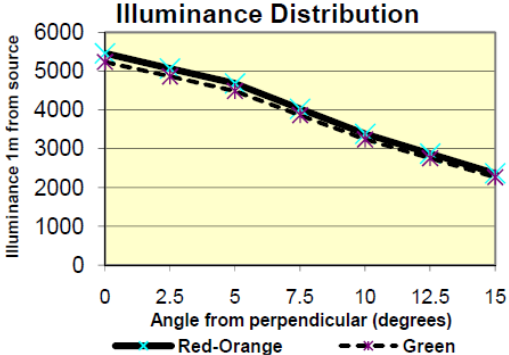
The light is activated via a control signal input. Flashing speed and intensity are adjustable and diagnostic information is available via the CAN bus.

Default mode (without CAN link): The light flashes at 4Hz when the Rain Light input pin is switched to supply voltage.

Red-Orange and Green versions are available.

<p><b>Electrical</b></p> <ul style="list-style-type: none"> <li>Supply 10 to 16V dc</li> <li>Supply not to exceed 17V continuous (the unit is protected against transients and reverse polarity)</li> <li>Current up to 3.0A at 13.8V</li> <li>Rain light input 5 to 17V dc</li> <li>Default Rain light flash rate 4Hz, 30% duty cycle</li> <li>Internal temperature sensor</li> </ul> <p><b>Optical</b></p> <ul style="list-style-type: none"> <li>LED colour Red-Orange (617nm wavelength), or Green (530nm wavelength).</li> <li>Typical maximum light intensity distribution as shown on graph.</li> <li>CAN control of brightness and flash rate (No CAN termination fitted)</li> </ul>	<p><b>Connection Definition</b></p> <ul style="list-style-type: none"> <li>Connector ASL006-05PN-HE</li> <li>Connection</li> <li>Pin 1 Supply</li> <li>Pin 2 Ground</li> <li>Pin 3 Rain Light Input</li> <li>Pin 4 CAN+</li> <li>Pin 5 CAN-</li> </ul> <p><b>Mechanical</b></p> <ul style="list-style-type: none"> <li>Aluminium alloy body, hard anodised and dyed black</li> <li>Clear polycarbonate lens cover</li> <li>Black polyester surround</li> <li>Supplied with Q4 Flex-Loc A/V mounts</li> <li>Weight &lt; 265g</li> </ul> <p><b>Environmental</b></p> <ul style="list-style-type: none"> <li>Splash resistant to standard Motorsport fluids</li> <li>Maximum humidity 100%</li> <li>Operating temperature 0 to +85°C</li> <li>Storage temperature -10 to +85°C</li> <li>Shock tested to 50g, 11ms</li> <li>Vibration 100 to 1000Hz, 24 hours each axis</li> </ul> <table border="0"> <tr> <td>100Hz</td> <td>0.00797g<sup>2</sup>/Hz</td> </tr> <tr> <td>200Hz</td> <td>0.17157g<sup>2</sup>/Hz</td> </tr> <tr> <td>300Hz</td> <td>0.54279g<sup>2</sup>/Hz</td> </tr> <tr> <td>650Hz</td> <td>0.00965g<sup>2</sup>/Hz</td> </tr> <tr> <td>1000Hz</td> <td>0.02080g<sup>2</sup>/Hz</td> </tr> </table>	100Hz	0.00797g <sup>2</sup> /Hz	200Hz	0.17157g <sup>2</sup> /Hz	300Hz	0.54279g <sup>2</sup> /Hz	650Hz	0.00965g <sup>2</sup> /Hz	1000Hz	0.02080g <sup>2</sup> /Hz
100Hz	0.00797g <sup>2</sup> /Hz										
200Hz	0.17157g <sup>2</sup> /Hz										
300Hz	0.54279g <sup>2</sup> /Hz										
650Hz	0.00965g <sup>2</sup> /Hz										
1000Hz	0.02080g <sup>2</sup> /Hz										

**Illuminance Distribution**



Angle from perpendicular (degrees)	Red-Orange Illuminance (lm)	Green Illuminance (lm)
0	5500	5000
2.5	5000	4800
5	4500	4500
7.5	4000	4000
10	3500	3500
12.5	3000	3000
15	2500	2200

11/11/09

McLAREN TECHNOLOGY CENTRE  
 CHERTSEY ROAD, WOKING  
 SURREY GU21 4YH, UNITED KINGDOM  
 T: +44 (0) 1483 261400  
 F: +44 (0) 1483 261402  
 W: www.mclarenelectronics.com

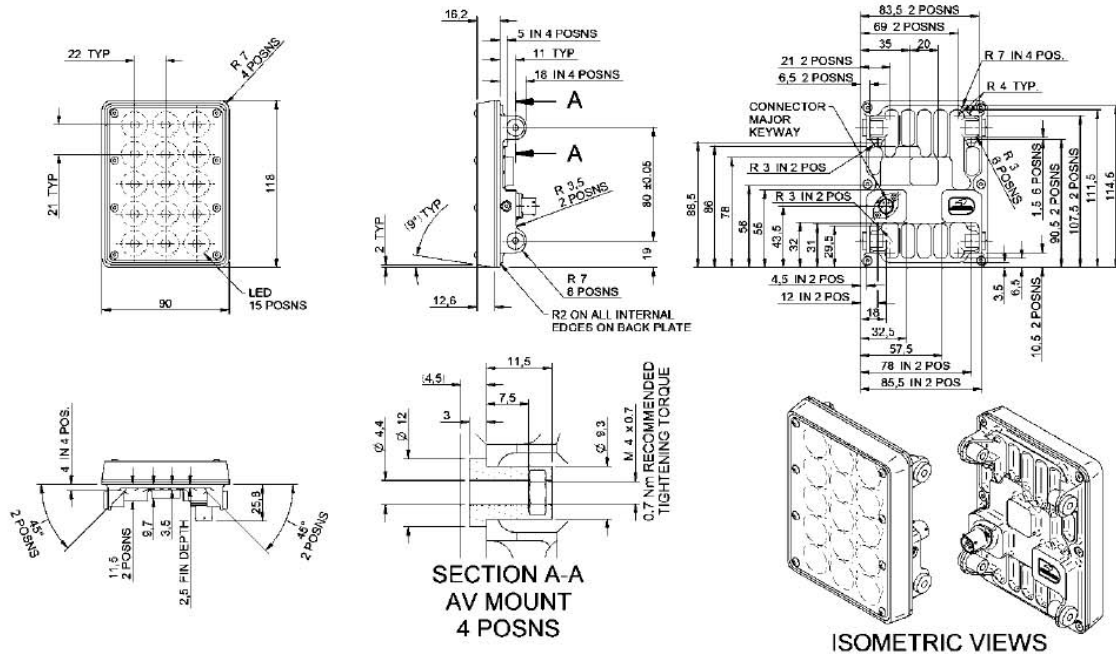
USA: McLAREN ELECTRONICS INCORPORATED  
 T: +1 (704) 660 3181  
 Email: sales@mclarenelectronics.com

ASIA: TOKYO R&D CO. LTD  
 T: +81 (0) 46 226 5501  
 Email: mes@r-d.co.jp



# RAINLIGHT 2

## HIGH INTENSITY LED LIGHT WITH CAN



Description	Order Code
Rain Light CAN (Red LED's)	0 030 970 010 009
Rain Light CAN (Green LED's)	0 030 970 010 010

11/11/09

McLAREN TECHNOLOGY CENTRE  
CHERTSEY ROAD, WOKING  
SURREY GU21 4YH, UNITED KINGDOM

T: +44 (0) 1483 261400  
F: +44 (0) 1483 261402  
W: www.mclarenelectronics.com

USA: McLAREN ELECTRONICS INCORPORATED  
T: +1 (704) 660 3181  
Email: sales@mclarenelectronics.com

ASIA: TOKYO R&D CO. LTD  
T: +81 (0) 46 226 5501  
Email: mes@r-d.co.jp

## Article 14.6.1

The following materials are the only ones approved for head protection :

For ambient temperatures above 30°C (Type A) 'Confor' CF45 (Blue)

For ambient temperatures between 15°C and 30°C (Type B) 'Confor' CF42 (Pink)

For ambient temperatures below 15°C (Type C) 'Sunmate' medium soft grade (Light blue)

**Type A and B foams are available from :**

E.A.R. Specialty Composites Corporation  
7911 Zionsville Road  
Indianapolis IN 46268 - USA  
Tel + 1 317 692 1111  
Fax + 1 317 692 0618

or

Dowty Energy Control Products  
Unit C  
The Beaver Centre  
Ashburton Industrial Estate  
Ross on Wye  
Herefordshire HR9 7BW  
United Kingdom

Tel + 44 1989 565 636  
Fax + 44 1989 565 410

**Type C foam is available from :**

Dynamic Systems Inc  
235 Sunlight Drive  
Leicester  
NC 28748  
USA

Tel + 1 828 683 3523  
Fax + 1 828 683 3511  
E Mail [dsi@sunmatecushions.com](mailto:dsi@sunmatecushions.com)

## Article 14.6.5

The head protection must be secured to the car in the following way :

Two horizontal pegs behind the driver's head and one pin on each of the forward extremities, the latter must be clearly indicated and easily removable without the use of tools.

## Article 14.6.7

The following material is the only one approved for leg protection :

For all ambient temperatures (Type B) : **Confor CF42 (Pink)**

**Type B foam is available from :**

E.A.R. Specialty Composites Corporation  
7911 Zionsville Road  
Indianapolis IN 46268 - USA  
Tel + 1 317 692 1111  
Fax + 1 317 692 0618

or

Dowty Energy Control Products  
Unit C  
The Beaver Centre  
Ashburton Industrial Estate  
Ross on Wye  
Herefordshire HR9 7BW  
United Kingdom

Tel + 44 1989 565 636  
Fax + 44 1989 565 410

## Article 14.8.4

Details of the tool, belt receptacles and head stabilisation may be found in the specification below.

### RECOMMENDED SPECIFICATION FOR EXTRACTABLE SEATS IN SINGLE SEATER AND SPORTS CARS

Version 3 01-10-2005

In order that an injured driver may be immobilised and removed from the car in his seat under medical supervision following an accident, cars shall be fitted with a seat constructed according to the following principles.

1. The seat shall be in the form of a shell in non-metallic fibre composite material, suitable if necessary for receiving a liner formed to the driver, which should be positively located. The seat shall provide him with good lateral support at the hips and shall extend from coccyx to shoulder level (unless there is an integrated headrest as mentioned in 3).
2. The shape and fit of the seat in the cockpit will be such that:
  - no head restraint worn by the driver may be less 25mm from any structural part of the car when he is seated in his normal driving position;
  - removable shoulder supports can be fitted on either side if necessary.
3. Normally the seat shall be designed with a slot in the back to accept a head stabilising board which is issued to all extrication crews in the FIA Extrication Bag. The dimensions of this slot are given in Figures 1 and 2.

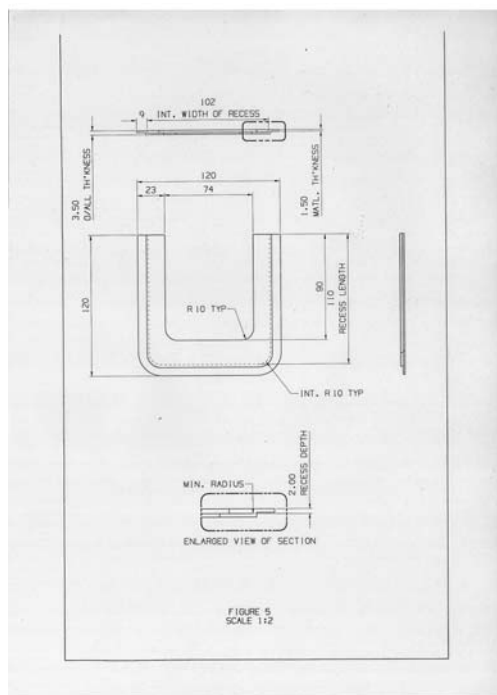


Figure 1. Receptacle for removable head board

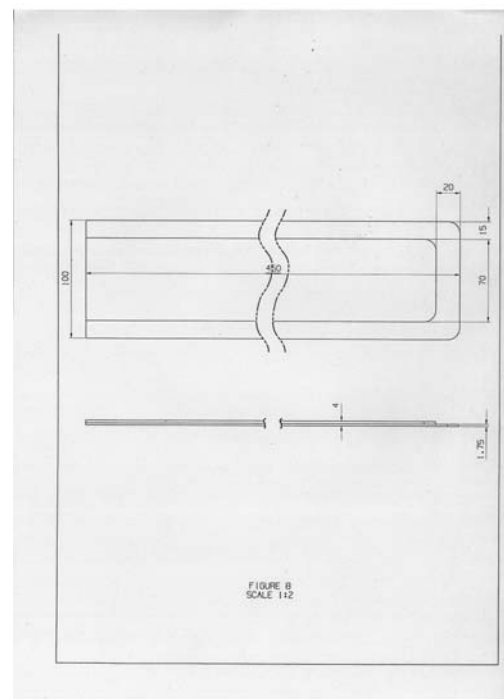


Figure 2. Removable head board

An alternative model, used in some existing formula cars, has an integral head support which extends upwards, with a minimum width of 90mm, as far as a horizontal tangent to the top of the driver's head.

4. The seat must be removable without the need to cut any of the seat belts or remove the harness buckle. **The shoulder and lap belts must fall away over the seat edges as it is withdrawn and the crotch straps must pass freely through the seat bottom hole or holes, which must be located in front of the driver's crotch.**

Any seat liner must have the same holes as the seat shell, identical and perfectly aligned with them in order to prevent the harness straps being trapped.

However, if the lap straps have to pass through holes in the seat, it is necessary to fit the car with a harness having the buckle attached to a shoulder belt, given that the buckle will not pass between the driver's body and the side of the seat.

5. The seat shall be located in the chassis such that it is firmly fixed horizontally. It is important that the seat shall not be displaced or fractured by lateral or longitudinal accelerations. To achieve this it is recommended to eliminate any voids between seat and chassis.

If it is mechanically secured, this must be done with no more than two bolts. If bolts are used they must:

- be clearly indicated and easily accessible to rescue crews;
- be fitted vertically;
- be removable with a 4mm Allen key, issued to all extrication crews in the FIA Extrication Bag.

6. The seat must be equipped with the following straps and anchorages (see figures 3 and 4) for immobilising the driver and lifting the seat, with the help of the contents of the FIA Bag (see bag contents in Appendix).



Figure 3. Disposition of strap receptacles



Figure 4. Detail of lower straps

- 2 shoulder straps, diagonally crossed from right side of thorax to top left corner (red strap) and from left side of thorax to top right corner (blue strap), attached with plastic adjuster buckles. The female buckle receptacles at the shoulders are mounted on webbing loops in the corresponding colours, on to which 2 of the black lifting straps from the FIA Bag will also be clipped.

- 1 buckle receptacle\* on each side of the seat at hip level, to receive one of the orange immobilising straps from the FIA Bag

- 1 buckle receptacle\* on each side at the bottom end of the seat, to receive the other orange immobilising strap from the FIA Bag and mounted on orange webbing loops onto which the other 2 black lifting straps from the FIA Bag will also be clipped.

*\*See buckle references in Appendix.*

The straps shall be:

- in 50mm wide seat belt webbing;
- preferably in the colour corresponding to their function;
- permanently exposed at the edges of the seat so as to be immediately visible and accessible to the extrication teams. The liner shall be trimmed accordingly.

7. The FIA training DVD showing the seat in action, as well as any further information, is available on request from the FIA, Geneva.

#### APPENDIX - CONTENTS OF THE "FIA EXTRICATION BAG"

**One bag** with FIA logo

**One tool** - 4mm Allen key

**One headboard** in carbon fibre with Velcro on both sides

**4 cushions** to place between head and headboard as necessary

**2 red straps with Velcro** for immobilising the head at forehead and chin

**2 orange straps with plastic male buckles\***, adjustable, for immobilising at hips and thigh

**1 black strap with Velcro** for tying hands together

**1 blue strap with Velcro** for tying feet together

**4 black straps with snap hooks** for lifting the seat out

\* **BUCKLE: maker and references:**

Butonia (London) Ltd.

E-mail: [bltd@butonia-group.com](mailto:bltd@butonia-group.com)

Tel: +44 (020)7249 5141

Fax: +44 (020)7249 8859

Part n°: 960406-BA-50

Description: ACW CSR2 2" BLACK BUCKLES

## Article 15.1.2

The definition of metallic materials and test procedure are detailed below.

### DEFINITION OF METALLIC MATERIALS

A metallic material will be defined as a material that is made-up of metallic elements, whether that material is a pure metal, alloy of several metals or an inter-metallic. In the case of a composite this is designated a metallic material when the matrix or reinforcement, whatever phase proportion, is composed of metallic elements.

Metallic elements are those designated by the periodic table, shaded yellow below.

PERIODIC TABLE OF THE ELEMENTS

Metals										Nonmetals									
I <sup>a</sup>	II <sup>a</sup>	III <sup>b</sup>	IV <sup>b</sup>	V <sup>b</sup>	VI <sup>b</sup>	VII <sup>b</sup>	VIII	I <sup>b</sup>	II <sup>b</sup>	III <sup>a</sup>	IV <sup>a</sup>	V <sup>a</sup>	VI <sup>a</sup>	VII <sup>a</sup>	0				
1 H 1.0079 1										5 B 10.81 2-3	6 C 12.011 2-4	7 N 14.0067 2-5 -3	8 O 15.9994 2-6	9 F 18.998403 2-7	10 Ne 10.179 2-8				
<p>Key to chart</p> <p>Atomic Number → 50    Oxidation States → +2</p> <p>Symbol → Sn    Electron Configuration → -18-18-4</p> <p>Atomic Weight → 118.69</p> <p>Transition Elements</p>										14 Si 28.08 2-8-4	15 P 30.97376 2-8-5	16 S 32.06 2-8-6	17 Cl 35.453 2-8-7	18 Ar 39.948 2-8-8					
										32 Ge 72.59 8 18 4	33 As 74.9216 8 18 5	34 Se 78.96 8 18 5	35 Br 79.904 8 18 7	36 Kr 83.80 8 18 8					
												52 Te 127.60 18 18 6	53 I 126.9045 18 18 7	54 Xe 131.30 18 18 8					
													85 At (210) -32-18-7	86 Rn (222) -32-18-8					
* Lanthanides																			
** Actinides																			

Numbers in parentheses are mass numbers of most stable isotope of that element

Non-metallic materials will include pure and impure compounds such as oxides, nitrides, silicides etc, and material with organic matrices such as carbon and Kevlar reinforced composites.



## FIA TEST PROCEDURE 03/03

### SPECIFIC MODULUS OF METALLIC MATERIALS

- 1) All materials over 35GPa/gm/cm<sup>3</sup>, and with a metallic content greater than 60% by mass, must be submitted for testing at the National Physical Laboratory, Teddington, UK.
- 2) All tests will be carried out at 20-25°C and by using test procedure ASTM E 111 as a basis for analysis.
- 3) Ten test samples of each material type must be supplied.
- 4) Flat specimens FTSB, FTSD or FTSE must be supplied. Drawings of the specimens are attached to this test procedure.
- 5) Data will normally be analysed using the tangent and secant moduli to calculate Young's modulus.
- 6) The tests will not normally be carried out to failure, only the early (linear) part of the stress-strain curve will be measured.
- 7) The modulus measurements will normally be made only from the first loading cycle unless there are problems in obtaining a linear part to the curve. In this case some pre-loading or repeat load cycling will be carried out.
- 8) Archimedes Principle will be used to assess the density of the samples.
- 9) The report for each materials type will normally include all relevant information, the stress-strain curves, Young's modulus values, density measurements and calculated specific modulus.  
  
Specific modulus results will be quoted to the nearest 0.1GPa/gm/cm<sup>3</sup>. Any material found to be above 40GPa/gm/cm<sup>3</sup> (including total uncertainty) will be deemed not to comply with Article 15.1.2 of the 2003 F1 Technical Regulations.
- 10) If a dispute arises the car component(s) in question will undergo quantitative chemical analysis according to UKAS standards. The National Physical Laboratory will compare the component chemical analysis to that of the specimens previously submitted for specific modulus testing to ensure they are manufactured from the same material.

May 2003

## Article 15.4.7

The additional side intrusion panel lay-up details may be found below.



### Specification for 2008 Secondary Side Intrusion Panel

*FINAL VERSION 1.0*

#### General

The panel shall be constructed from Torayca T1000G and Toyobo High Modulus Zylon (PBO) fibres, impregnated with a toughened, elevated cure temperature, epoxy resin system. If different resins are used for the T1000G and Zylon reinforced plies, they must be co-curable. The construction of the panel shall be quasi isotropic and shall avoid darts, joins or gaps in any ply, apart from those required to cover complex geometry, cut outs for wiring and side impact structures. Rebates shall be permitted in the outer four Zylon plies only, for the attachment of external bodywork. Any joins required in each  $\pm 45$  degree ply, to cater for a finite material roll width, shall overlap by at least 10mm and be staggered through the laminate, to avoid super-imposing. The panel must be cured to the manufacturer's recommended cure cycle. The panel will be bonded to the chassis over the entire surface area with the prescribed film or paste adhesive.

#### Zylon HM – 300gsm

Minimum average weight [285]gsm, 6K fibres per tow, in a 2 X 2 twill weave style, impregnated with an epoxy resin.

#### T1000G – 280gsm

Minimum average weight [269]gsm, 12K fibres per tow, 2 X 2 twill weave or 5 harness satin weave, impregnated with an epoxy resin.

#### Matrix System

MTM49-3 or Cycom 2020 epoxy resin. Alternatively, it is permissible to replace the approved resin system with the primary matrix system used for the homologated side intrusion panel.

#### Adhesive (to chassis)

Film adhesive 150gsm 3M AF163-2 or paste adhesive 3M 9323 B/A

#### Stacking Sequence (0 degree represents longitudinal axis of the chassis)

##### *Outer surface*

1 ply T1000G (0/90)

16 plies Zylon ( $\pm 45, 0/90$ )<sub>8</sub> or ( $\pm 45, 0/90, 0/90, \pm 45$ )<sub>4</sub>

1 ply T1000G (0/90)

##### *Inner surface*

### Thickness

The minimum thickness of the cured panel, excluding the adhesive, shall be [6.2]mm.

### Area Weight

The minimum area weight of the cured panel, excluding the adhesive, shall be [8700]gsm.

### Voids

The panel shall be essentially void free.

### Examples of Compliant Materials

1. Supplied by Cytex
  - Zylon HM-300gsm/2x2 twill with Cycom2020 epoxy resin (NOM 42% by weight)
  - T1000G-12K 280gsm/2x2twill or 5 harness weave with Cycom2020 epoxy resin (NOM 42% by weight)
2. Supplied by ACG
  - Zylon HM-300gsm/2x2 twill with MTM49-3 epoxy resin (NOM 43% by weight)
  - T1000G-12K 280gsm/2x2twill or 5 harness weave with MTM49-3 epoxy resin (NOM 40% by weight)

Andrew Mellor 4 September 2006

## Article 16.1.1

The test procedure is detailed below.

TYPE AND RANGE OF CHASSIS AND STEERING COLUMN TRANSDUCERS	<b>Single axis transducers</b> 2000g overload capacity (+/- 1000g). Low working range 200g (high linearity (2 % or better) of the accelerometer within the range of 0 – 200g)														
DUMMY SUGGESTION	Hybrid III (size: 50% male)														
TYPE AND RANGE OF DUMMY TRANSDUCER	<b>Three axis transducer</b> 2000g overload capacity (+/- 1000g). Low working range 200g (high linearity (2 % or better) of the accelerometer within the range of 0 - 200g)														
TYPE OF SIDE IMPACT TRANSDUCER	TNC F1 Impact TR001.issue 1														
FILTER FOR TRANSDUCER DATA	<table border="0"> <tr> <td>Front and rear test (peak deceleration)</td> <td>CFC 60</td> </tr> <tr> <td>Front test (average deceleration)</td> <td>unfiltered</td> </tr> <tr> <td>Dummy chest</td> <td>CFC 180</td> </tr> <tr> <td>Side (peak force)</td> <td>CFC 60</td> </tr> <tr> <td>Side (average deceleration)</td> <td>unfiltered</td> </tr> <tr> <td>Steering column (peak deceleration)</td> <td>CFC 600</td> </tr> <tr> <td colspan="2">All filters specified SAE J211</td> </tr> </table>	Front and rear test (peak deceleration)	CFC 60	Front test (average deceleration)	unfiltered	Dummy chest	CFC 180	Side (peak force)	CFC 60	Side (average deceleration)	unfiltered	Steering column (peak deceleration)	CFC 600	All filters specified SAE J211	
Front and rear test (peak deceleration)	CFC 60														
Front test (average deceleration)	unfiltered														
Dummy chest	CFC 180														
Side (peak force)	CFC 60														
Side (average deceleration)	unfiltered														
Steering column (peak deceleration)	CFC 600														
All filters specified SAE J211															
SAMPLING RATE	20 kHz each test														
TIME ZERO (T0)	T0 will be defined by electronic contact														
VELOCITY AT T0	Velocity at T0 will be measured immediately before impact														
VELOCITY CALCULATION	Single integration of unfiltered deceleration data														
DISPLACEMENT CALCULATION	Displacement will be established by double integration of unfiltered deceleration data														
FRONTAL IMPACT TEST : DATA PROCESSING PROCEDURE	<p><u>Peak deceleration over the first 150mm of deformation</u> Peak deceleration using deceleration data filtered to CFC60 Time for 150mm will be determined as the first instant that displacement exceeds 150mm</p> <p><u>Peak deceleration over the first 60kJ energy absorption</u> Peak deceleration using deceleration data filtered to CFC60 Energy will be established by numerical integration (unfiltered deceleration x mass) x displacement Time for 60kJ will be determined as first instant that the energy exceeds 60kJ</p> <p><u>Average deceleration of the trolley</u> Average deceleration from T0 to V0 using unfiltered deceleration data V0 will be determined as first instant that velocity is less than 0m/s</p> <p><u>Peak deceleration in the chest of the dummy</u> Deceleration data filtered to CFC180</p>														

<p>SIDE IMPACT TEST : DATA PROCESSING PROCEDURE</p>	<p><u>Average deceleration</u> Average deceleration from T0 to V0 using unfiltered deceleration data V0 will be determined as first instant that velocity is less than 0m/s <u>Force applied to any one of the four impactor segments</u> Force data filtered to CFC60 <u>Energy absorbed by each of the four impactor segments</u> Energy will be established by numerical integration of force x displacement from T0 to V0 Force data per segment will be established using the sum of unfiltered data from four load cells V0 will be determined as first instant that velocity is less than 0m/s</p>
<p>REAR IMPACT TEST : DATA PROCESSING PROCEDURE</p>	<p><u>Peak deceleration over the first 225mm</u> Peak deceleration using deceleration data filtered to CFC60 Time for 225mm will be determined as first instant that displacement exceeds 225mm <u>Maximum deceleration for cumulative 15ms</u> Cumulative period will be established by using deceleration data filtered to CFC60</p>
<p>STEERING COLUMN TEST : DATA PROCESSING PROCEDURE</p>	<p><u>Maximum deceleration for cumulative 3ms</u> Cumulative period will be established by using deceleration data filtered to CFC600</p>

## Parts to be fitted to the crash structure for impact tests

### Frontal impact test :

- front impact structure including properly attached front wing hangers ;
- a fully representative 500mm wide front wing section. If there is provision within the front wing to carry ballast the lightest version must be tested ;
- ventilation scoops ;
- any kind of externally fitted winglets including a dummy camera ;
- any kind of externally fitted brackets ;
- any part or component which is forward the front end of the survival cell such as the steering rack, hydraulic lines for the power steering, brake fluid containers etc., even if these fall outside the deformation zone.

### Rear impact test

- rear impact structure including inserts for the attachment of components ;
- a fully representative 500mm wide lower rear wing section ;
- fully machined gearbox (the part number and weight must be supplied at the test) ;
- differential (real or dummy) ;
- any structural shrouds ;
- rear light (SLC dummy rear light possible) ;
- any brackets situated behind the rear wheel centre line ;
- any rear suspension members which are fitted to the structure behind the rear wheel centre line ;
- jack hook (if fitted).

### Side impact test

- impact structures including any brackets ;
- all components such as electronic boxes which fall within the area of the impactor, allowing for the tolerances permitted by Article 16.3 and the 1mm between the impactor tiles, this area is 407mm x 551mm (its centre lying 300mm above the reference plane and 500mm forward of the rear edge of the cockpit opening template).

## Article 16.3

Details of the impactor which must be used during the side impact test are as follows :



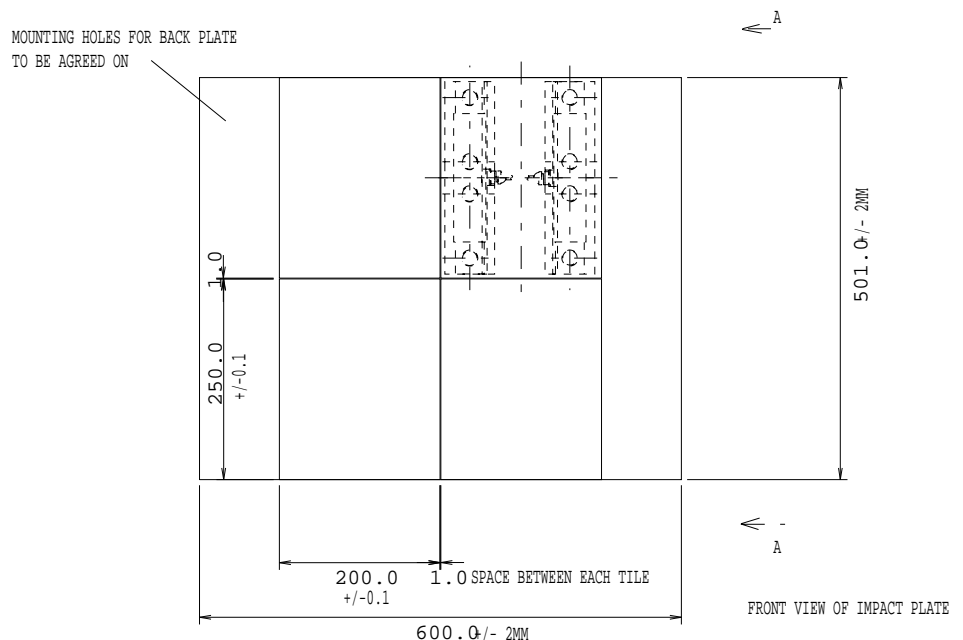
Unit C3, Acre Business Park  
Acre Road, Reading  
Berkshire RG2 0SA  
Telephone : 01189 314107  
Facsimile: 01189 314971

### F1 2001 Impact Load measuring plate

TNC F1 Impact TR001 issue 1(8/5/00)

#### Description:

The Impact load measuring plate will be manufactured in such a way that 4 off Impact faces (Tiles) of 200 mm x 250 mm x 38 mm will be mounted via the load cells to a single back plate manufactured from 38 mm thick Aluminium 600 mm x 501 mm.



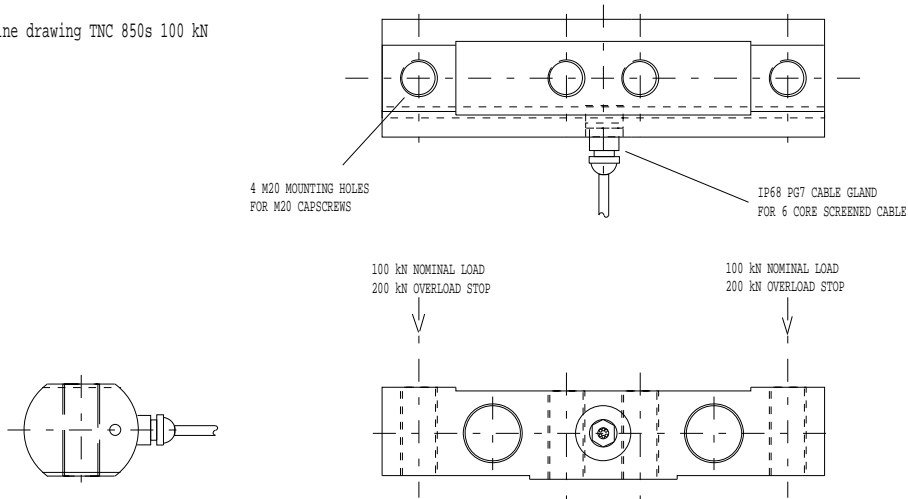
#### (Drawing 1153a)

Each Impact Tile will be mounted on a 4 off Load Cell system which will comprise of 2 Off Double Shear Beam style Load Cells designed in such a way that each end of the beam is wired as an independent Load Cell.

(See attached out line drg. and spec for TNC 850s).

Each Load cell will be manufactured so that an over load stop will be provided at approx. 200% of rated load. Therefore no load cell will suffer damage if loaded up to 400% of rated load

Outline drawing TNC 850s 100 kN

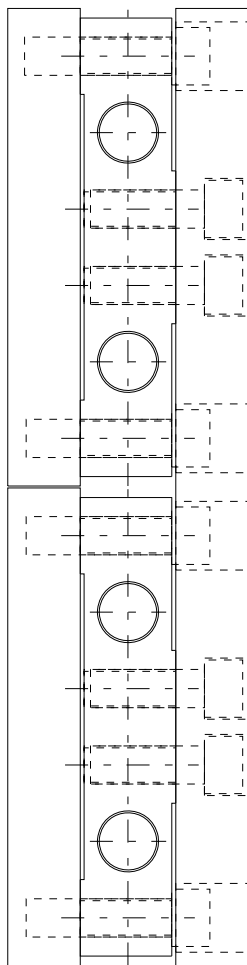


(Drawing 1153)

Each load cell will be individually calibrated up to 200% of rated load, and the outputs rationalised to 1.5 mV/V +/-0.25%.

Load cell mounting:

The plate will be designed and manufactured in such a way that all fixing bolts will be accessed via the back plate, thus leaving the front Tile faces clear of holes.



ALL MOUNTING BOLTS FIXED  
VIA BACK PLATE

VIEW A,A



### Impact plate Technical Details:

Nominal Tile loading  $4 \times 100 \text{ KN} = 400 \text{ KN}$ .

Obtainable measuring accuracy of each Tile:  $< 0.25\%$  Nominal load

Total Load per Tile up to overload  $4 \times 200 \text{ KN} = 800 \text{ KN}$ .

Static Calibration Certification traceable to NAMAS will be provided for each Impact Tile.

Single Lifting Eye for assembly will be provided.

Maximum overall weight estimated at: 91 Kg. (Including all fixing bolts)

150 KN Rated Load Cells can be provided at no extra cost as an option.

### Materials used:

#### Load cell : 174/PH precipitation hardened.

Impact plates: HS 30 TF.

Fixing bolts: High Tensile steel BZP.

Cable: 6 core poly insulated overall screen braid 5.5 dia.

### TNC 850s

Technical Data	Standard load ranges	kN	100, 150
Full Load output	mV/V	1.5	+/-0.25%
Excitation voltage (recommended) dc or ac		V	10 - 15
Excitation voltage (maximum) dc or ac V		18	
Safe service load	%	400	
Safe side load	%	150	
Combined error (non-linearity & hysteresis)		%	<+/- 0.08
Repeatability	%	<+/-	0.05
Output at zero load	%	<+/-	1.0%
Input resistance	ohms	350	+20/- 0
Output resistance	ohms	350	+/-2
Creep after 30 minutes (20 deg C)	%	<+/-	0.02
Operational temperature range	deg C	-20	to +80
Compensated temperature range	deg C	-10	to +40
Temperature coefficient of zero	%/C	<+/-	0.0017
Temperature coefficient of span	%/C	<+/-	0.0010
Environmental protection		IP65	
Cable length standard	m	5	
Insulation	G ohms		>2 at
50V.dc			

NOTE: All percentages related to Full Rated Load

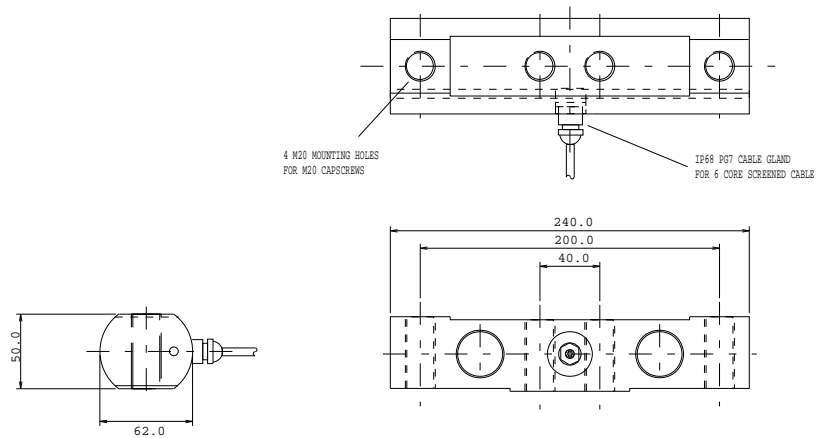
Electrical  
Connections

Red + input      LC1      Green + output      LC2      White + output

Blue - input      Yellow - output      Black - output  
Screen not connected to load cell

All Dimensions in mm.

Outline drawing TNC 850s 100,150kN



## Article 18.6.1

Side intrusion panels will be tested using the following test procedure :



FEDERATION INTERNATIONALE DE L' AUTOMOBILE

### SIDE INTRUSION TEST PROCEDURE 02/05

#### 1. SCOPE

This document defines the test methodology and performance specification for Formula One Survival Cell Penetration Resistance. The penetration resistance is evaluated by testing flat samples which are constructed with the same lay-up configuration as the survival cell. The test method aims to represent the conditions by which the survival cell structure is loaded during a side impact.

#### 2. DEFINITIONS

##### 2.1 Test sample

Flat panel with lay-up configuration corresponding to the side wall of the survival cell. The size of the test sample is 550mm x 550mm with a rigid 25mm border. The sample will be supplied with 28 mounting holes, of diameter 9.0mm, which are equally spaced around the perimeter of the sample, and positioned 15mm from the edge.

##### 2.2 Rigid nosecone

A conical impactor which represents the loading conditions of a Formula One deformable nosecone during a side impact accident. The rigid nosecone is a truncated cone with an enclosed angle of  $25^{\circ} \pm 1^{\circ}$ , a length of at least 200mm, and a  $138\text{mm} \pm 1\text{mm}$  diameter flat face which has a radius of 10mm ( $\pm 1\text{mm}$ ).

#### 3. PERFORMANCE ASSESSMENT

The performance of the survival cell panel shall be tested by the method described in 4) below. The results shall be presented to the FIA in accordance with 5) below.

The maximum load shall exceed 250kN and the energy absorption shall exceed 6,000J.

#### 4. TEST PROCEDURE AND INSTRUMENTATION

##### 4.1 Apparatus

A rigid frame shall be provided to which the four sides of the test specimen may be clamped in order to simulate in-vehicle boundary conditions whilst preventing any spurious damage to the test specimen. The frame shall support the perimeter of the sample with an overlap of 25mm, thus providing an unsupported central area of 500mm x 500mm. The inside lower edge of the frame may have a 5mm radius. The sample should be placed with the side which represents the outer skin of the survival cell uppermost and be fastened by a clamping plate and 28 M8 screws which have been tightened to a torque of 20Nm.

The sample will be tested using the rigid nosecone described in 2.2 above.

A method of forcing the nosecone through the test sample at a rate of  $2\text{mm} \pm 1\text{mm}$  per second to a maximum load of 300 kN shall be provided.

#### 4.2 Specification of test samples

The lay-up configuration of the test sample shall correspond to the side wall of the survival cell. The test sample shall be flat and measure 550mm x 550mm, and the thickness shall correspond to the thickness of the survival cell. A rigid border of width 25mm shall be provided, in order to fasten the test sample to the test apparatus, thus providing a central test area of 500mm x 500mm.

#### 4.3 Instrumentation

The apparatus shall provide a means for measuring the applied load and the displacement of the nosecone. The instrumentation shall conform to the requirements of the NAMAS Accreditation Standard and the NAMAS regulations (or equivalent). The load and displacement shall be continuously measured at a sampling frequency of 10Hz.

#### 4.4 Test Procedure

The test sample shall be fastened to the rigid frame and positioned on the compression testing machine. The rigid nosecone shall be positioned on the centre of the panel and a load shall be applied, to force the nosecone through the panel, until the displacement of the nosecone has exceeded 150mm. The applied load and the deflection shall be continuously measured during the test. The ambient temperature shall be  $25^{\circ}\text{C}$  ( $\pm 5^{\circ}\text{C}$ ).

### 5. RESULTS

The results shall be presented on A4 size paper and shall include:

- (a) Chassis reference number
- (b) Thickness of test sample
- (c) Graphical trace to show load (kN) versus displacement (mm)
- (d) Graphical trace to show energy<sup>1</sup> (J) versus displacement (mm)
- (e) Maximum load<sup>2</sup> (kN)
- (f) Energy absorbed<sup>3</sup> (J)

<sup>1</sup>. The energy shall be calculated by single integration of the load with respect to displacement with an interval no greater than 1mm.

<sup>2</sup>. The maximum load over the first 100mm of displacement.

<sup>3</sup>. The energy absorbed over the first 100mm of displacement.

## Article 19.8.1

Fuel samples will be taken and handled in the following way :

At any time during an Event a fuel sample can be taken from a car, a fuel drum or from a fuel rig by the FIA. A representative of the team should be present during sampling.

### **SAMPLING**

When sampling from a car or a fuel rig the fuel is sampled with the fuel sampling hose mentioned in Article 6.6.3 of the 2009 FIA Formula One Technical Regulations. This comprises a tube approximately 2000 mm long x 4.6 mm internal diameter with a "-2" female snap fit connector at one end and a valve at the other end attached to ca. 200 mm of 4.6 mm internal diameter stainless steel tubing. Fuel drums are sampled by siphoning using approximately 1500 mm of rubber fuel piping.

Before sampling the sampling hose is flushed with the fuel to be sampled using a volume of fuel approximately equal to three times the volume of the hose. The fuel is then sampled sequentially into three tinplate cans. Therefore at least one litre of fuel has to be on board a car at any time during the Event. The tinplate cans should be filled to at least 85 % of their total volume with fuel. During the sampling the fuel temperature may be measured. A fire extinguisher should be present.

### **LABELLING**

After sampling all three cans are labelled and sealed with a numbered seal. On the label the following is recorded: the Event, date, team, car number, seal number, team representative including signature and FIA delegate including signature.

### **SAMPLES**

One sample remains with the team, two samples remain with the FIA. One of these two FIA samples is used for the "Track-side" analysis. The other is kept refrigerated and used in the case of a dispute.

## TRACK SIDE FUEL CONFORMITY PROCEDURES

Initial comparisons are carried out by careful manual inspection of peak height ratios in the GC traces of the sample and that of the approved reference fuel. The fuel traces are also overlaid and compared using facilities available in an appropriate software package. If an apparent discrepancy is observed, computer generated peak areas are compared with those obtained on the reference fuel (using the same integration parameters). To avoid any effects due to evaporation, comparisons will be made with the change in peak area of similar sized peaks either side of (and, if possible, close to) the peak in question. For example, if the peaks either side of the peak in question have each increased in relative area by 5% and the peak in question has increased by 15%, it will be considered that the relevant increase in area on the peak in question is 10%. Only increases in the relative areas of individual peaks will be examined.

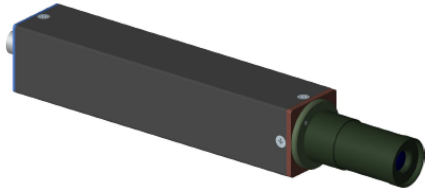
No action will normally be considered necessary unless the relevant increase in peak area is greater than 12%. This value is considerably greater than the established repeatability for peak area measurements on the FIA instrument in the mobile laboratory (3 x relative standard deviation is usually less than 5%). Increases greater than 12% will be highlighted in the report from the fuel analyst to the technical delegate. For compounds present at concentrations below 0.80%, the peak area criteria is replaced by an absolute maximum change of 0.10% peak area.

Action may also be considered necessary if a peak is detected in a fuel sample that was absent in the corresponding reference fuel and its peak area represents more than 0.10% of the summed peak areas of the fuel.

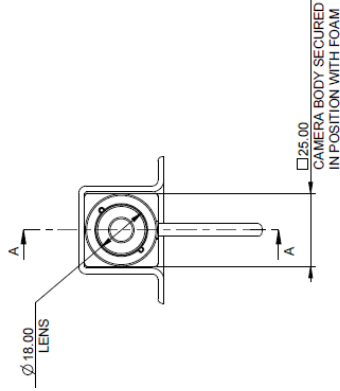
## Article 20.2

The weight of the cameras in the relevant positions is as follows :

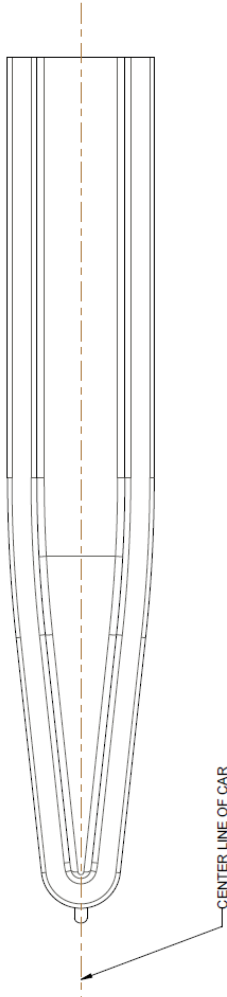
Position 1	0.140kg
Position 2 – Forward facing	0.605kg
Position 2 – Rear facing	0.476kg
Position 3 – Forward facing	0.605kg
Position 3 – Rear facing	0.476kg
Position 4 – Forward and rear facing	1.860kg
Position 5 – Face shot	0.120kg
Power conditioner	0.900kg
Formula One Interface Unit (FIU)	0.500kg



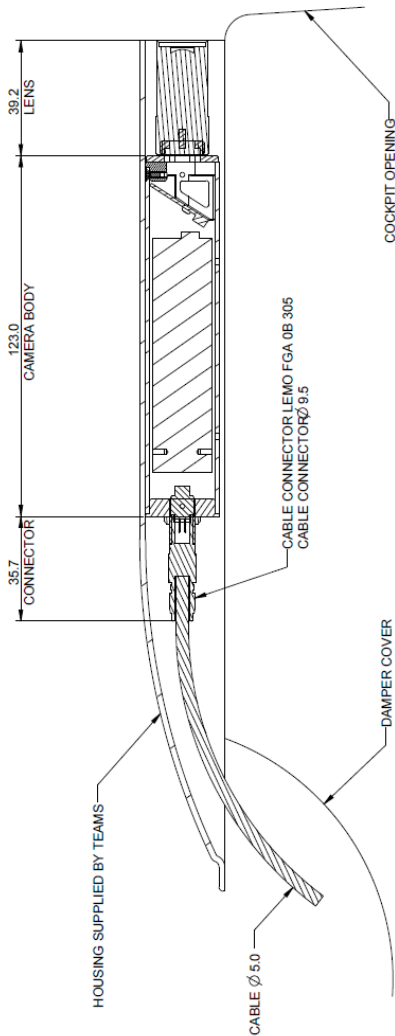
GENERAL VIEW OF FOM CAMERA



25.00  
CAMERA BODY SECURED  
IN POSITION WITH FOAM



CENTER LINE OF CAR



SECTION A-A

NOTE: THIS DRAWING IS NOT TO BE USED FOR MANUFACTURE UNLESS APPROVED BY THE DESIGNER. IT IS TO BE RELEASED OR IT IS STAMPED "DRMFT".

THIRD ANGLE PROJECTION	DO NOT SCALE IF IN DOUBT ASK
ALL DIMENSIONS IN MM	Scale: 1:1
Sheet: 0.4 NG	Revised: N/A
Weight Approx: 1.071	Revised: N/A
Material: N/A	Revised: N/A
DEC: ORL #11700	
DEC: 2PL #0.150mm	
DEC: ANGLES: #0.25	

FACE SHOT CAMERA POSITION 5  
E. Cattell  
0365-1400A

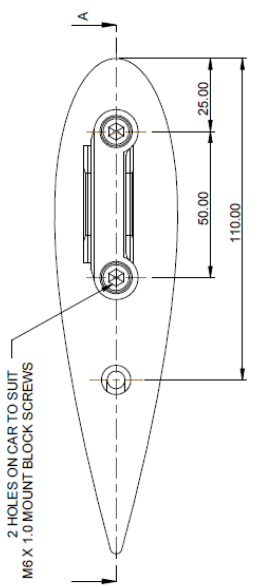
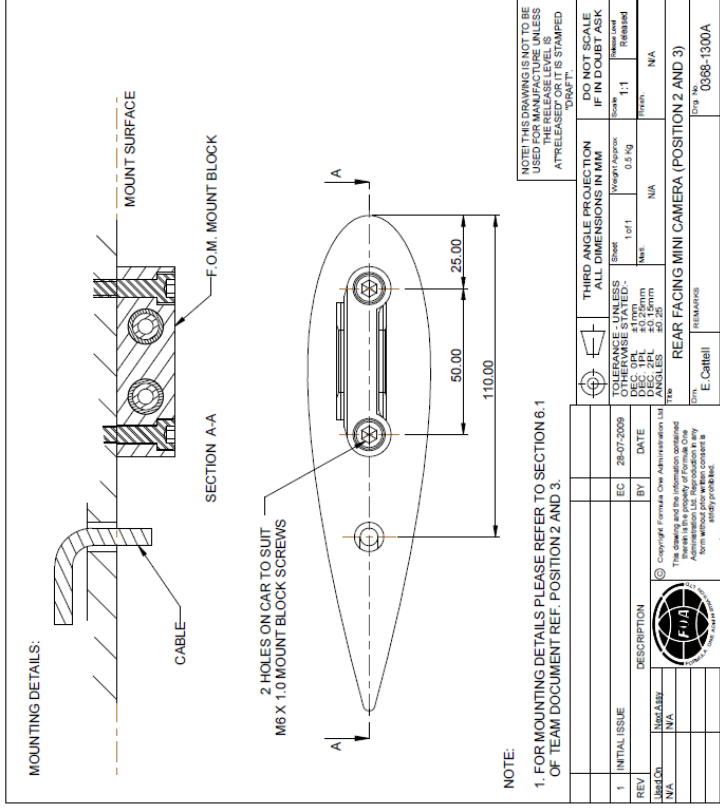
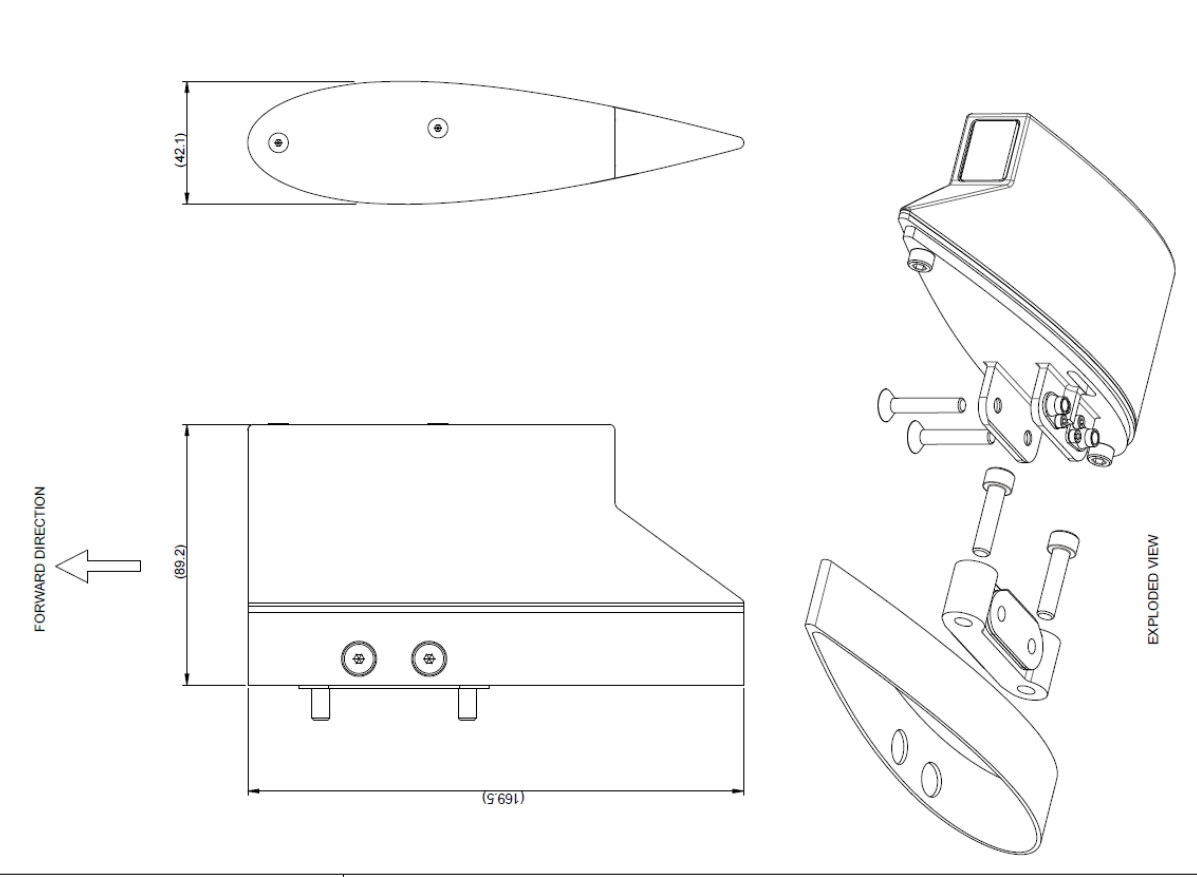
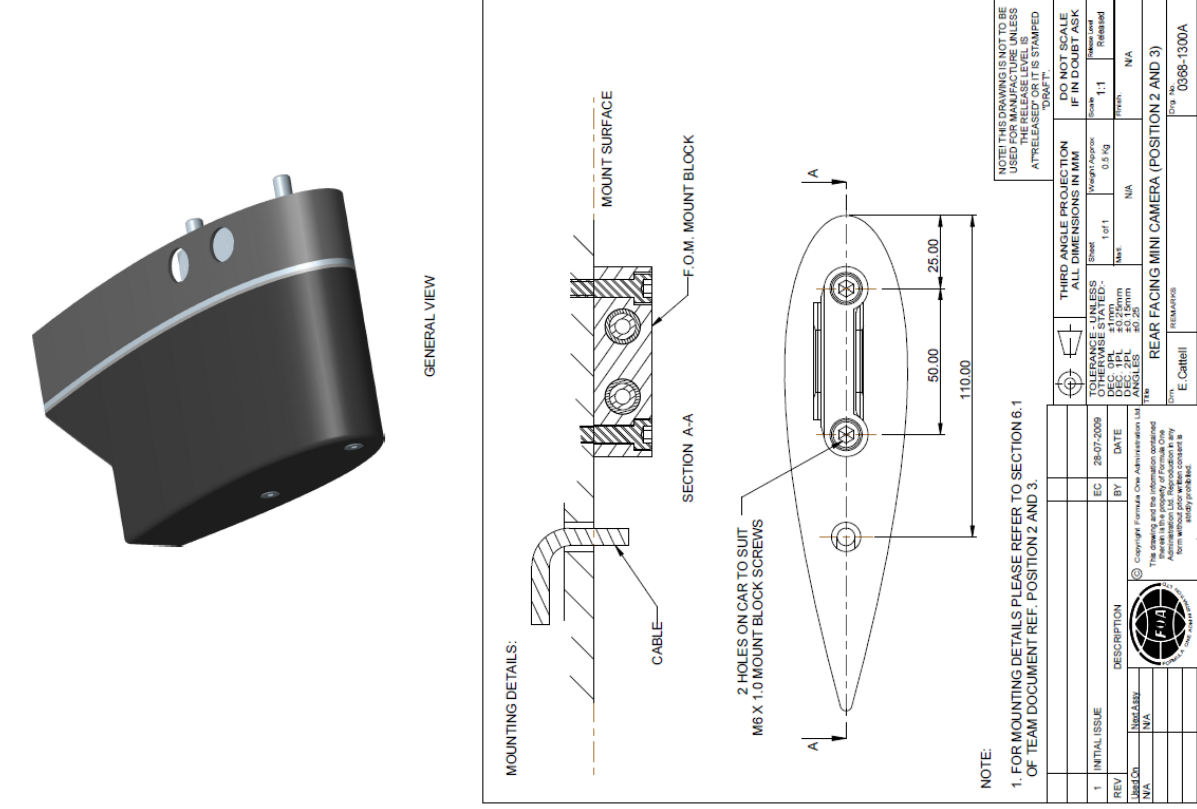
1	INITIAL ISSUE	EC	03-08-2008
REV	DESCRIPTION	BY	DATE
UNL	UNL	UNL	UNL
UNL	UNL	UNL	UNL



Copyright Formula One Administration Ltd  
This drawing is the property of Formula One  
Administration. It is not to be reproduced  
in any form without prior written consent by  
Formula One Administration.

NOTE:  
1. CAMERA REFERS TO DRAWING 6 OF F.1.A TECHNICAL REGULATIONS.





NOTE:  
 1. FOR MOUNTING DETAILS PLEASE REFER TO SECTION 6.1 OF TEAM DOCUMENT REF. POSITION 2 AND 3.

NOTED THIS DRAWING IS NOT TO BE USED FOR MANUFACTURE UNLESS APPROVED BY THE DESIGNER. THIS DRAWING IS RELEASED OR IT IS STAMPED "DRAFT".

DO NOT SCALE IF IN DOUBT ASK "DRAFT".

THIRD ANGLE PROJECTION ALL DIMENSIONS IN MM	
View	Scale
Front	1:1
Top	1:1
Right	1:1
Left	1:1
Bottom	1:1
Back	1:1

REV	INITIAL/ISSUE	DATE
1	EC	28-07-2009
2	BY	DATE
3	BY	DATE
4	BY	DATE
5	BY	DATE
6	BY	DATE
7	BY	DATE
8	BY	DATE
9	BY	DATE
10	BY	DATE

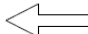
NO. OF SHEETS	1
TOTAL SHEETS	1
DATE	28/07/2009
BY	EC
DATE	
DESCRIPTION	
NEW NAME	
NO.	
REV	
DATE	
BY	
DESCRIPTION	
DATE	
BY	

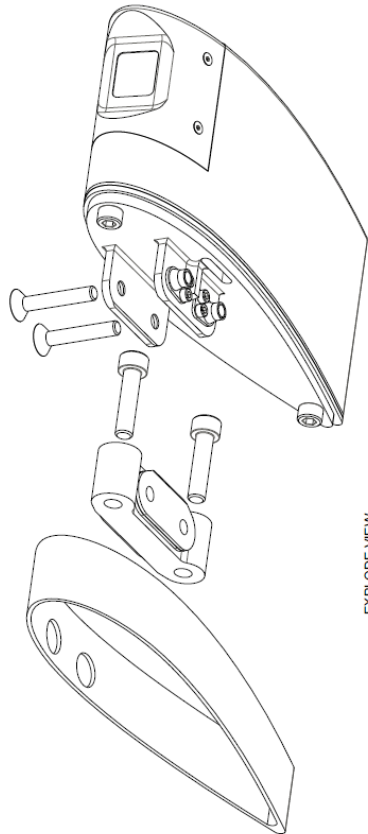
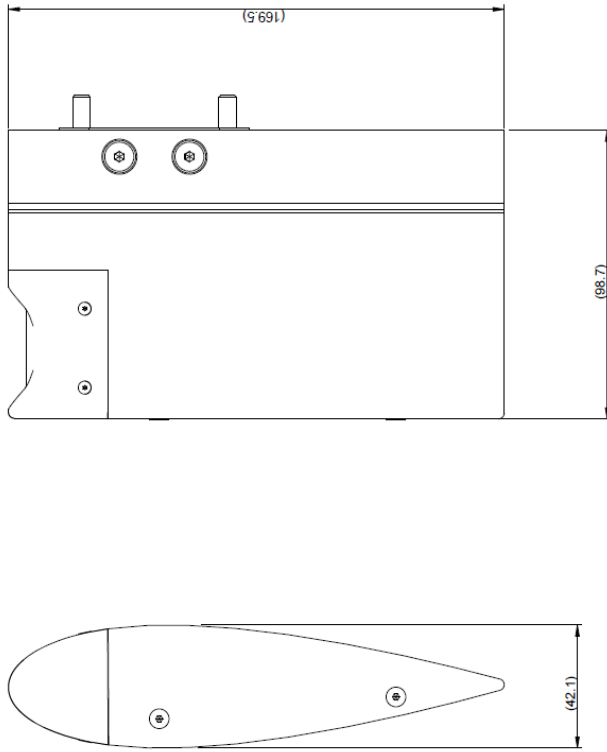
Copyright © Formula One Administration Ltd  
 This drawing is the property of Formula One  
 and is not to be reproduced, stored in a retrieval system,  
 or transmitted in any form or by any means, electronic,  
 mechanical, photocopying, recording, or by any information  
 storage and retrieval system, without prior written consent  
 from Formula One Administration Ltd.

REAR FACING MINI CAMERA (POSITION 2 AND 3)

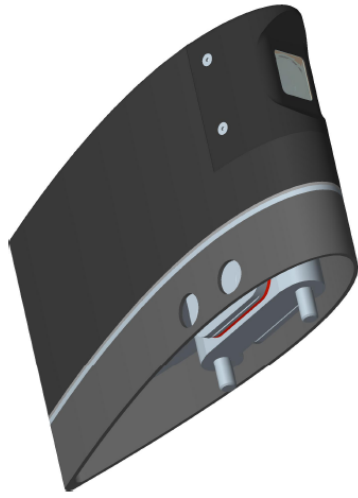
Drawn by: E. Carroll

Eng. No: 00669-1300A

FORWARD DIRECTION  


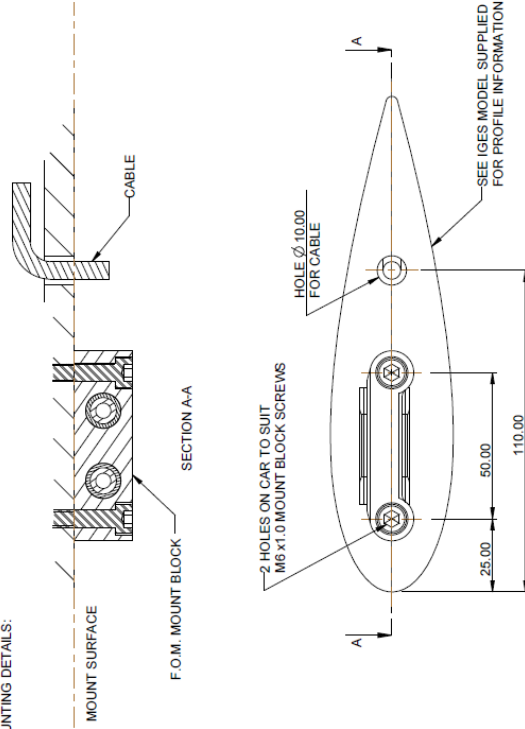


EXPLODE VIEW



GENERAL VIEW

MOUNTING DETAILS:



NOTE:  
 1. FOR MOUNTING DETAILS PLEASE REFER TO SECTION 6.1 OF TEAM DOCUMENT REF. POSITION 2 AND 3.

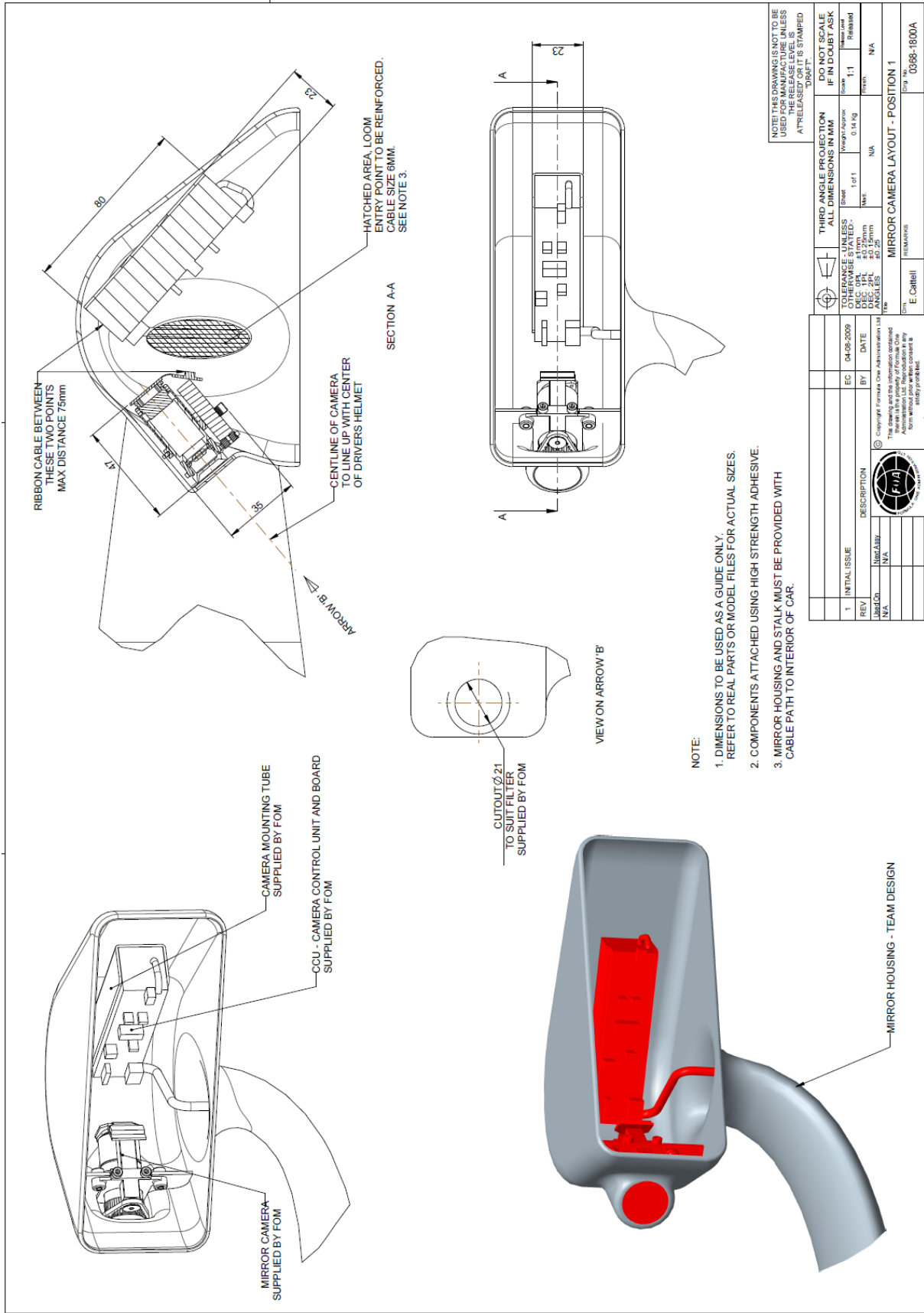
NOTE: THIS DRAWING IS NOT TO BE USED FOR CONSTRUCTION UNLESS THE RELEASE LEVEL IS AT 'RELEASED' OR IT IS STAMPED 'DRAFT'.

REV	INITIALS	DATE	DESCRIPTION	BY	DATE	DESCRIPTION
1	EC	27/07/2009	INITIAL ISSUE			

THIRD ANGLE PROJECTION		DO NOT SCALE	
ALL DIMENSIONS IN MM	UNLESS OTHERWISE STATED	UNLESS OTHERWISE STATED	UNLESS OTHERWISE STATED
Scale: 1 of 1	Material: 0.8 kg	Scale: 1:1	Released
Max. 1 of 1	Max. 0.25	Max. 1:1	Max. N/A
Max. 1 of 1	Max. 0.25	Max. 1:1	Max. N/A

Copyright Formula One Administration Ltd  
 This drawing and the information contained therein is the property of Formula One. It is to be used for the purposes stated in the release form without prior written consent by Formula One. Any other use is strictly prohibited.

TEAMWORKS  
 E. Carilli  
 Fig. 0365-1200A



NOTE: THIS DRAWING IS NOT TO BE USED FOR MANUFACTURE UNLESS APPROVED BY THE DESIGNER. IF IT IS STAMPED "DIRT" DO NOT SCALE IF IN DOUBT ASK

THIRD ANGLE PROJECTION		DO NOT SCALE IF IN DOUBT ASK	
Sheet	Weight approx	Scale	Material
1 of 1	0.14 kg	1:1	Released
MAX	N/A	MIN	N/A
DEC: ORL	41.070	DEC: ORL	41.070
DEC: PPL	41.150	DEC: PPL	41.150
ANGLES:	45.25	ANGLES:	45.25

REV	INITIAL	ISSUE	DATE	DESCRIPTION
1	EC	04-09-2009		

REV	INITIAL	ISSUE	DATE	DESCRIPTION
1	EC	04-09-2009		

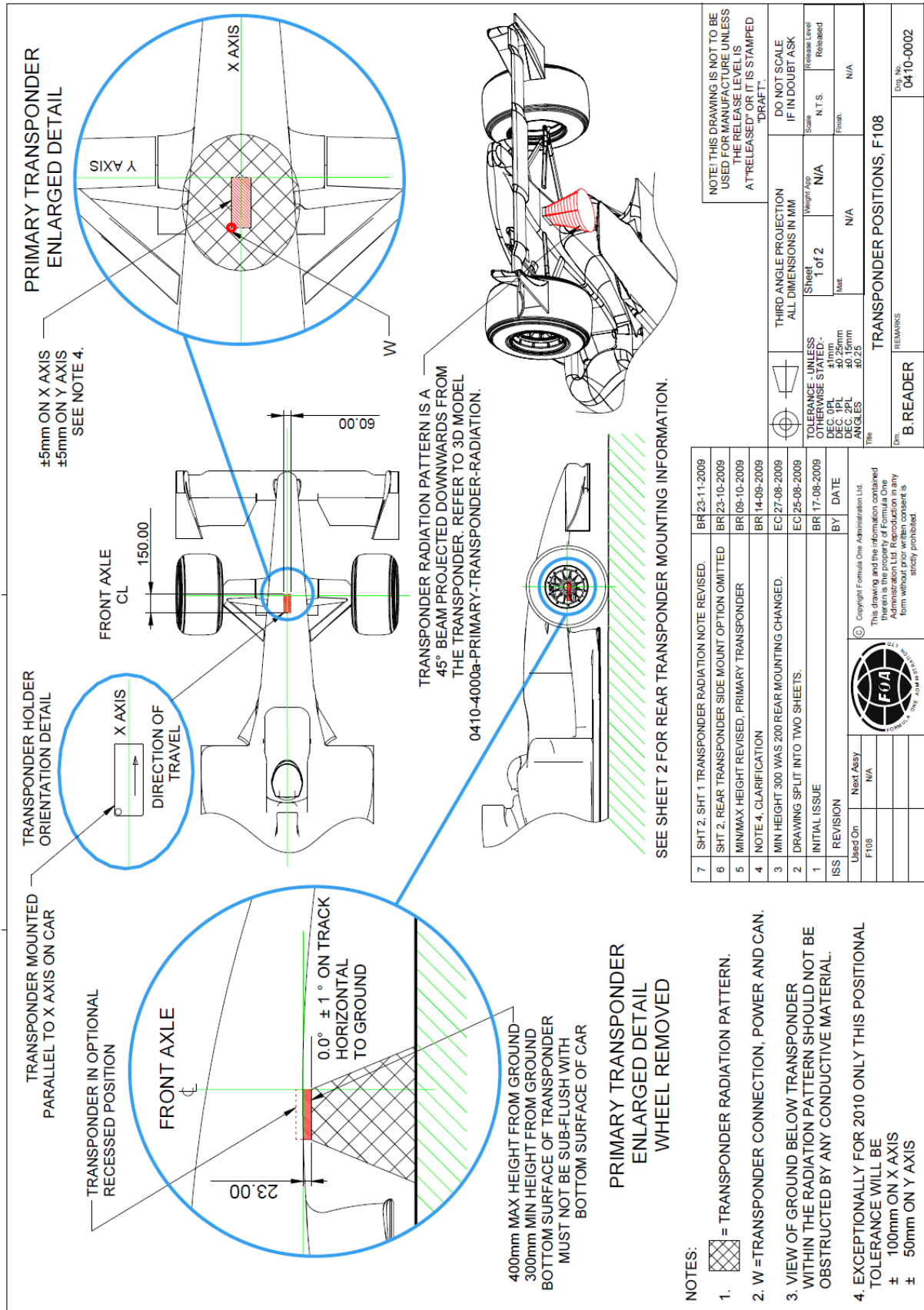
Copyright Formale One Administration Ltd  
 This drawing is the property of Formale One  
 and is not to be reproduced or used in any way  
 without prior written permission  
 unless otherwise stated.

REVISIONS  
 E. Catlett  
 0365-1800A

- NOTE:
1. DIMENSIONS TO BE USED AS A GUIDE ONLY. REFER TO REAL PARTS OR MODEL FILES FOR ACTUAL SIZES.
  2. COMPONENTS ATTACHED USING HIGH STRENGTH ADHESIVE.
  3. MIRROR HOUSING AND STALK MUST BE PROVIDED WITH CABLE PATH TO INTERIOR OF CAR.

Article 20.4

The timing transponders must be fitted in accordance with the instructions given in the following drawings :

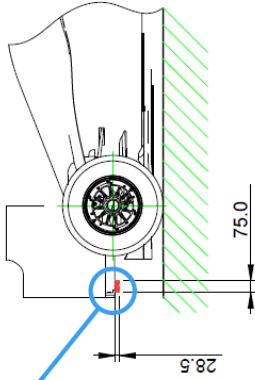
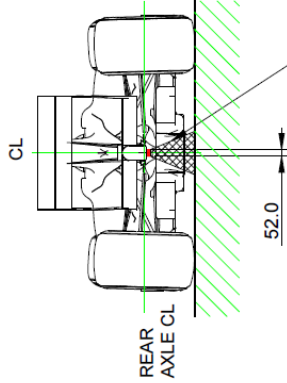
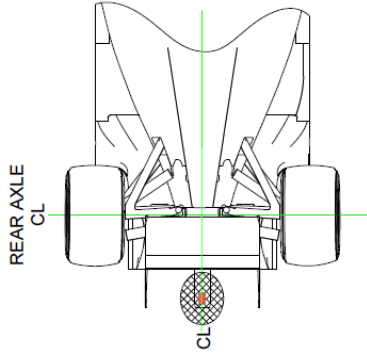
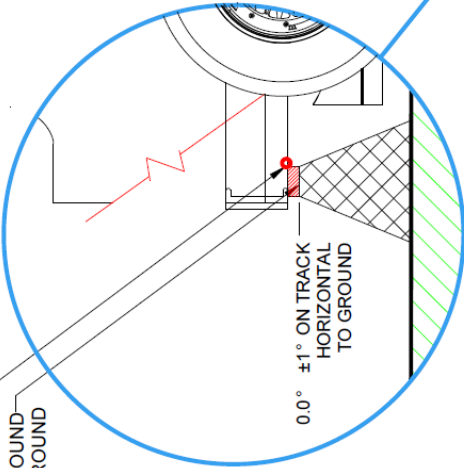


NOTES:

1. [Cross-hatched symbol] = TRANSDUCER RADIATION PATTERN.
2. W = TRANSDUCER CONNECTION, POWER AND CAN.
3. VIEW OF GROUND BELOW TRANSDUCER WITHIN THE RADIATION PATTERN SHOULD NOT BE OBSTRUCTED BY ANY CONDUCTIVE MATERIAL.
4. EXCEPTIONALLY FOR 2010 ONLY THIS POSITIONAL TOLERANCE WILL BE  
± 100mm ON X AXIS  
± 50mm ON Y AXIS

BACKUP TRANSPONDER MOUNTED UNDER REAR CRASH STRUCTURE ENLARGED PART DETAIL

400mm MAX HEIGHT FROM GROUND  
200mm MIN HEIGHT FROM GROUND



NOTE:

1. BACKUP TRANSPONDER TO BE MOUNTED UNDERNEATH THE CRASH STRUCTURE AS SHOWN.
2. [Hatched symbol] = TRANSPONDER RADIATION PATTERN.
3. V = BACKUP TRANSPONDER CONNECTION, POWER.
4. TRANSPONDER TO BE MOUNTED WITHIN 100mm OF REAR LIGHT.
5. VIEW OF GROUND BELOW TRANSPONDER WITHIN THE RADIATION PATTERN SHOULD NOT BE OBSTRUCTED BY ANY CONDUCTIVE MATERIAL.

TRANSPONDER RADIATION PATTERN IS A 45° BEAM PROJECTED DOWNWARDS FROM THE TRANSPONDER REFER TO 3D MODEL 04110-4000a-SECONDARY-TRANSPONDER-RADIATION.

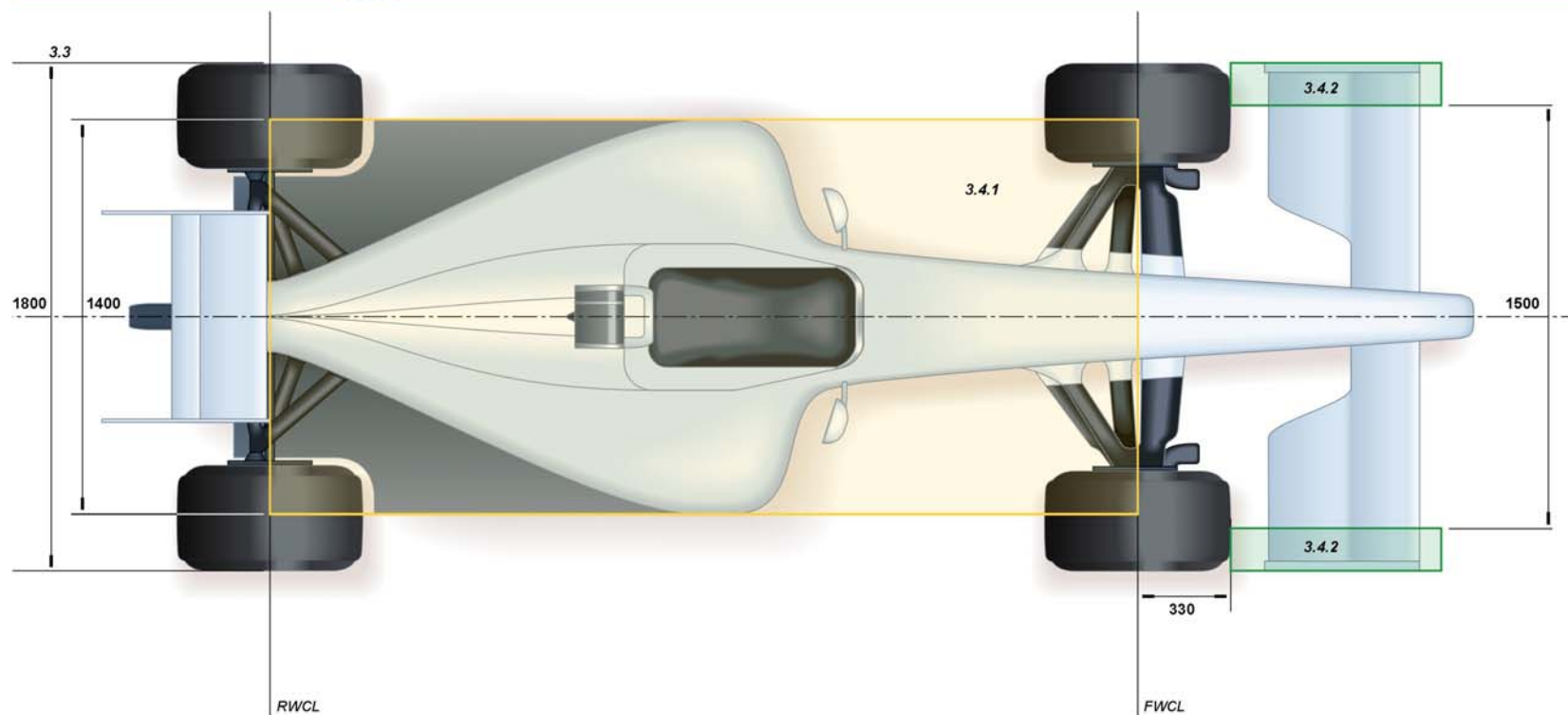
NOTE! THIS DRAWING IS NOT TO BE USED FOR MANUFACTURE UNLESS THE RELEASE LEVEL IS AT "RELEASED" OR IT IS STAMPED "DRAFT".

7	SHT 2, SHT 1 TRANSPONDER RADIATION NOTE REVISED.	BR/23-11-2009	DO NOT SCALE IF IN DOUBT ASK	Scale: N.T.S.	Release Level: Released
6	SHT 2, REAR TRANSPONDER SIDE MOUNT OPTION OMITTED	BR/23-10-2009	THIRD ANGLE PROJECTION ALL DIMENSIONS IN MM	Sheet: 2 of 2	Weight Assy: N/A
1	INITIAL ISSUE	BR 17-08-09	TOLERANCE - UNLESS OTHERWISE STATED - DEC. 1PL ±0.25mm DEC. 2PL ±0.15mm ANGLES ±0.25	Mat: N/A	Finish: N/A
ISS	REVISION	BY DATE	Title: TRANSPONDER POSITIONS, F108		
Used On:	Next Assy:		Dwg. No. 0410-0002		
F108	N/A		REMARKS: B Reader		
<p>Copyright Formula One Administration Ltd. This drawing and the information contained therein is the property of Formula One Administration Ltd. Reproduction in any form without written consent is strictly prohibited.</p>					

## Drawing 1a



### 3.3: Overall Width - 3.4: Width Ahead of Rear Wheel Centre Line



#### **3.3 - Overall width :**

The overall width of the car, including complete wheels, must not exceed 1800mm with the steered wheels in the straight ahead position. Overall width will be measured when the car is fitted with tyres inflated to 1.4 bar.

#### **3.4 - Width ahead of the rear wheel centre line :**

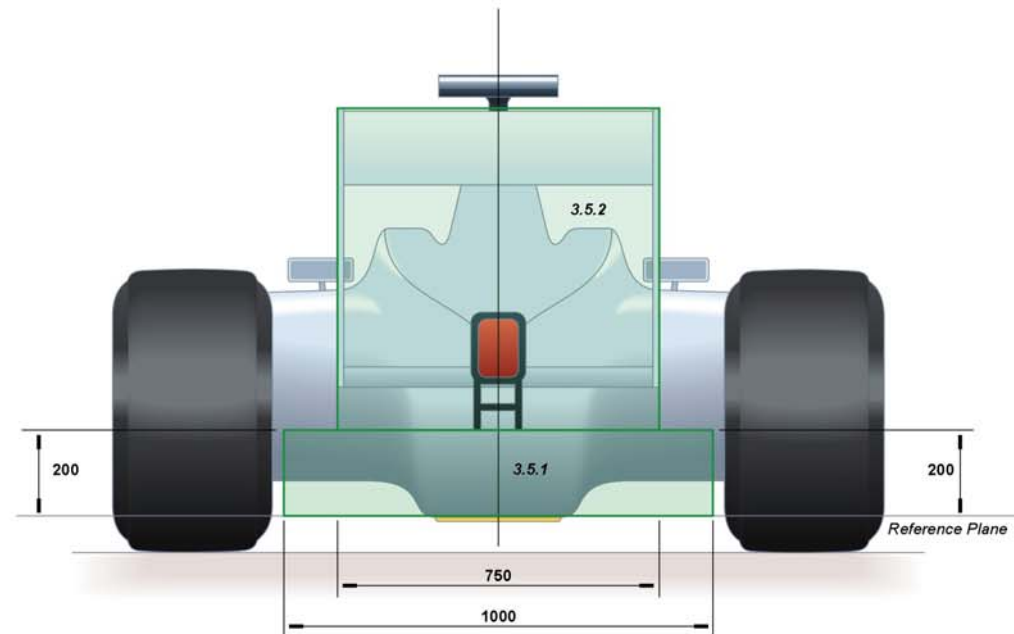
**3.4.1** Bodywork width between the front and the rear wheel centre lines must not exceed 1400mm.

**3.4.2** In order to prevent tyre damage to other cars any bodywork ahead of the complete front wheel and more than 750mm from the car centre line visible from the side or the front must be at least 10mm thick with a radius of at least 5mm.

## Drawing 2a



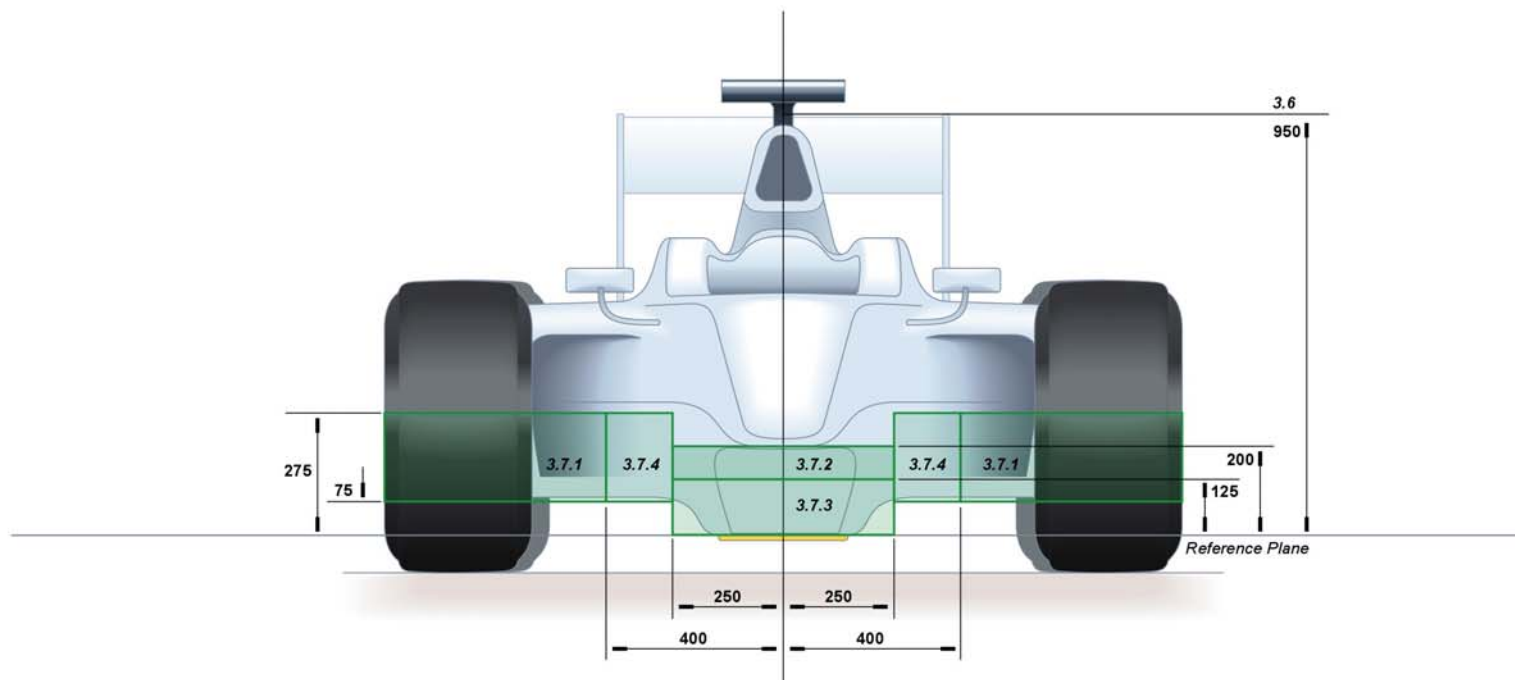
### 3.5: Width Behind the Rear Wheel Centre Line



#### **3.5 - Width behind the rear wheel centre line :**

**3.5.1** The width of bodywork behind the rear wheel centre line and less than 200mm above the reference plane must not exceed 1000mm.

**3.5.2** The width of bodywork behind the rear wheel centre line and more than 200mm above the reference plane must not exceed 750mm.



**3.6 Overall height :**

No part of the bodywork may be more than 950mm above the reference plane.

**3.7 Front bodywork :**

3.7.1 All bodywork situated forward of a point lying 330mm behind the front wheel centre line, and more than 250mm from the car centre line, must be no less than 75mm and no more than 275mm above the reference plane.

3.7.2 Any horizontal section taken through bodywork located forward of a point lying 450mm forward of the front wheel centre line, less than 250mm from the car centre line, and between 125mm and 200mm above the reference plane, may only contain two closed symmetrical sections with a maximum total area of 5000mm<sup>2</sup>. The thickness of each section may not exceed 25mm when measured perpendicular to the car centre line.

Once fully defined, the sections at 125mm above the reference plane must be projected vertically to join the profile required by Article 3.7.3. A radius no greater than 10mm may be used where these sections join.

3.7.3 Forward of a point lying 450mm ahead of the front wheel centre line and less than 250mm from the car centre line and less than 125mm above the reference plane, only one single section may be contained within any longitudinal vertical cross section parallel to the car centre line. Furthermore, with the exception of local changes of section where the bodywork defined in Article 3.7.2 attaches to this section, the profile, incidence and position of this section must conform to Drawing 7.

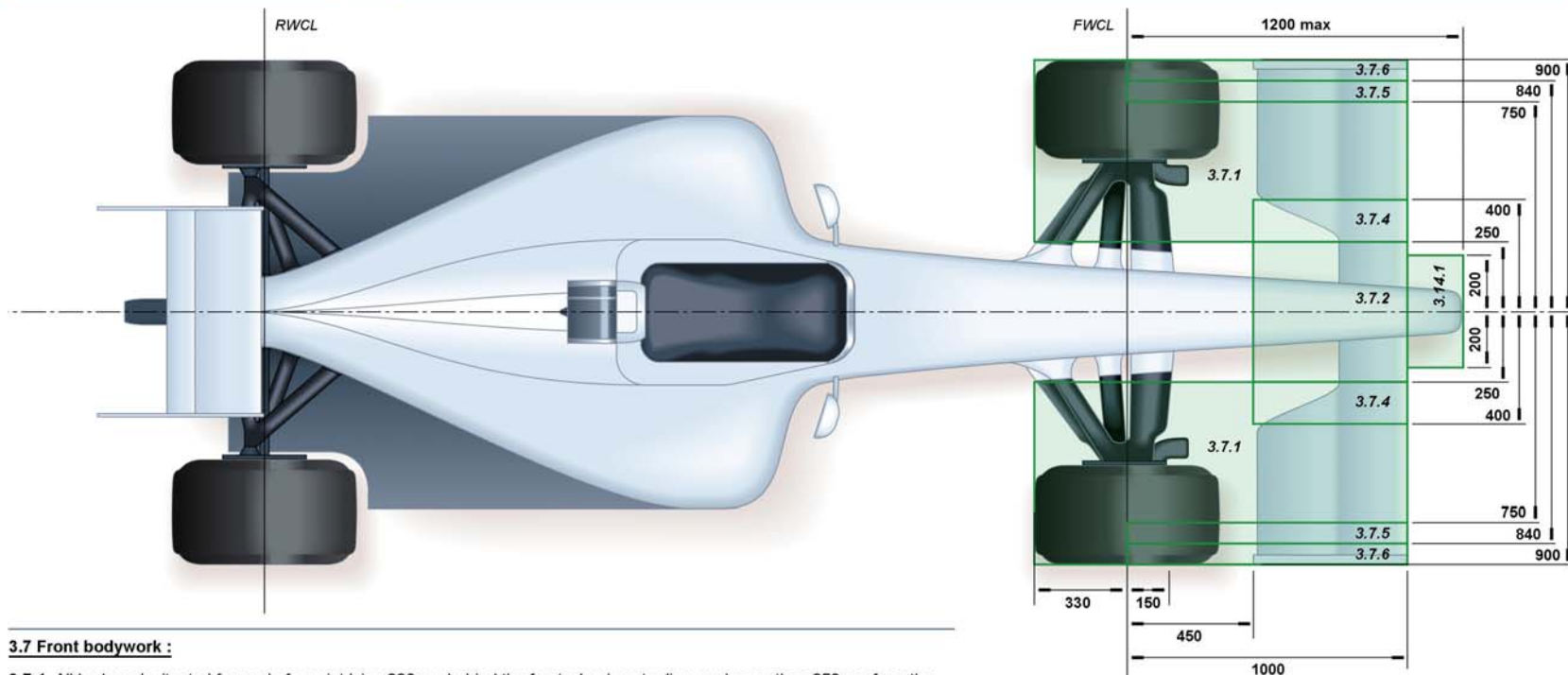
3.7.4 In the area bounded by lines between 450mm and 1000mm ahead of the front wheel centre line, 250mm and 400mm from the car centre line and between 75mm and 275mm above the reference plane, the projected area of all bodywork onto the longitudinal centre plane of the car must be no more than 20,000mm<sup>2</sup>.



## Drawing 4a



## 3.7: Front Bodywork - 3.14: Overhangs



### 3.7 Front bodywork :

**3.7.1** All bodywork situated forward of a point lying 330mm behind the front wheel centre line, and more than 250mm from the car centre line, must be no less than 75mm and no more than 275mm above the reference plane.

**3.7.2** Any horizontal section taken through bodywork located forward of a point lying 450mm forward of the front wheel centre line, less than 250mm from the car centre line, and between 125mm and 200mm above the reference plane, may only contain two closed symmetrical sections with a maximum total area of 5000mm<sup>2</sup>. The thickness of each section may not exceed 25mm when measured perpendicular to the car centre line.

Once fully defined, the sections at 125mm above the reference plane must be projected vertically to join the profile required by Article 3.7.3. A radius of 10mm may be used where these sections join.

**3.7.4** In the area bounded by lines between 450mm and 1000mm ahead of the front wheel centre line, 250mm and 400mm from the car centre line and between 75mm and 275mm above the reference plane, the projected area of all bodywork onto the longitudinal centre plane of the car must be no more than 20,000mm<sup>2</sup>.

**3.7.5** Ahead of the front wheel centre line and between 750mm and 840mm from the car centre line there must be bodywork with a projected area of no less than 95,000mm<sup>2</sup> in side view.

**3.7.6** Ahead of the front wheel centre line and between 840mm and 900mm from the car centre line there must be bodywork with a projected area of no less than 28,000mm<sup>2</sup> in plan view. Furthermore, when viewed from underneath, the bodywork in this area must form one continuous surface which may not be more than 100mm above the reference plane.

### 3.14 - Overhangs :

**3.14.1** No part of the car may be more than 600mm behind the rear wheel centre line or more than 1200mm in front of the front wheel centre line.

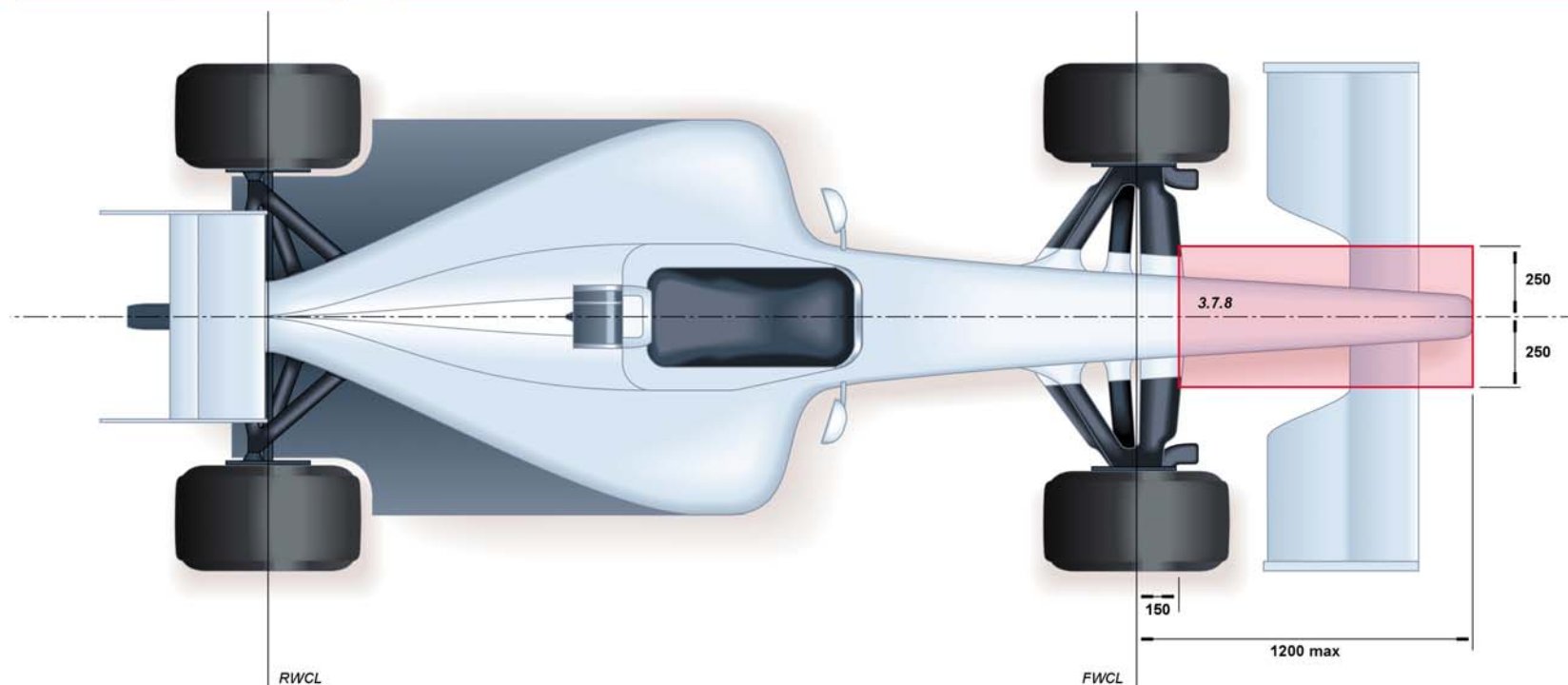
**3.14.2** No part of the bodywork more than 200mm from the car centre line may be more than 1000mm in front of the front wheel centre line.

**3.14.3** All overhang measurements will be taken parallel to the reference plane.

## Drawing 5a



## 3.7: Front Bodywork



### **3.7 - Front Bodywork :**

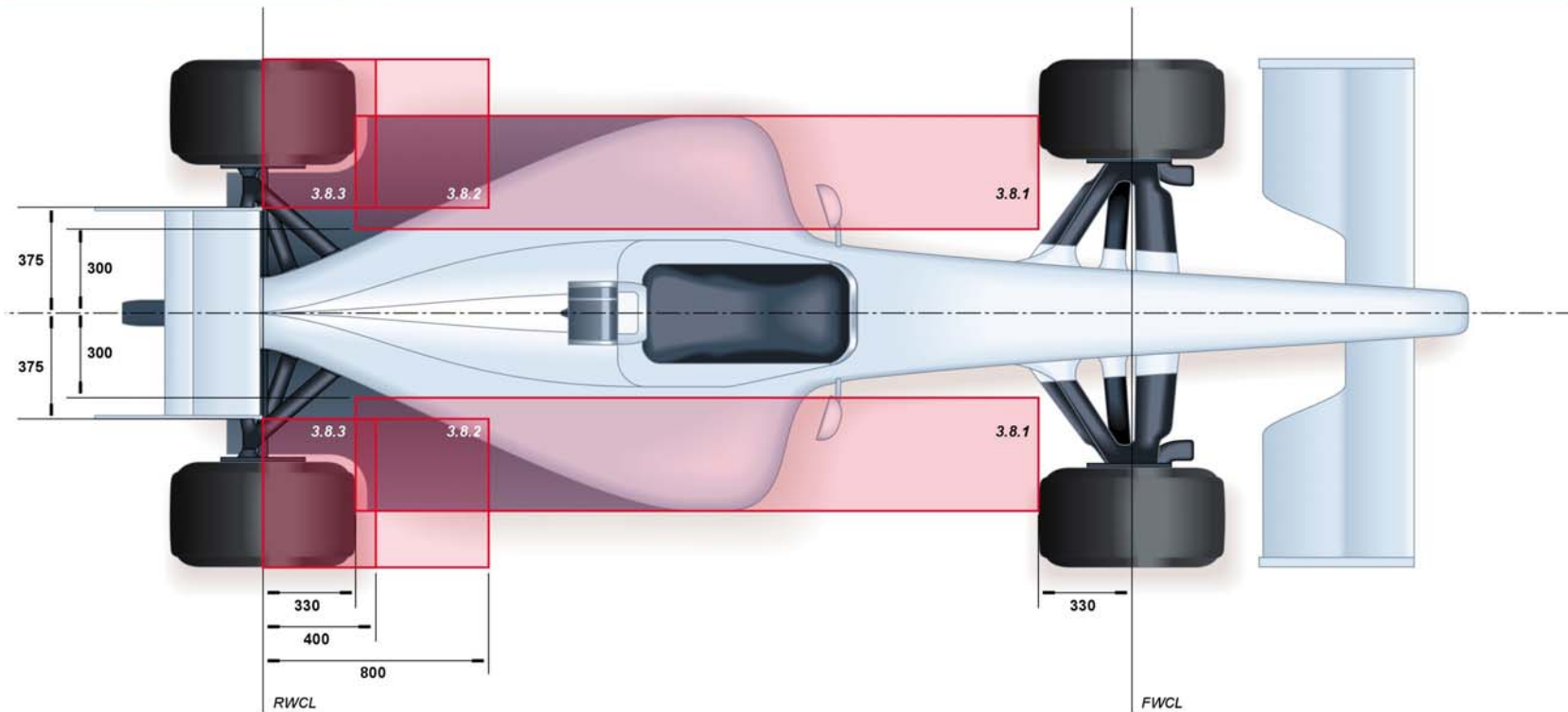
**3.7.8** Only a single section, which must be open, may be contained within any longitudinal vertical cross section taken parallel to the car centre line forward of a point 150mm ahead of the front wheel centre line, less than 250mm from the car centre line and more than 125mm above the reference plane.

Any cameras or camera housings approved by the FIA in addition to a single inlet aperture for the purpose of driver cooling (such aperture having a maximum projected surface area of 1500mm<sup>2</sup> and being situated forward of the section referred to in Article 15.4.3) will be exempt from the above.

## Drawing 6a



## 3.8: Bodywork in Front of the Rear Wheel Centre Line

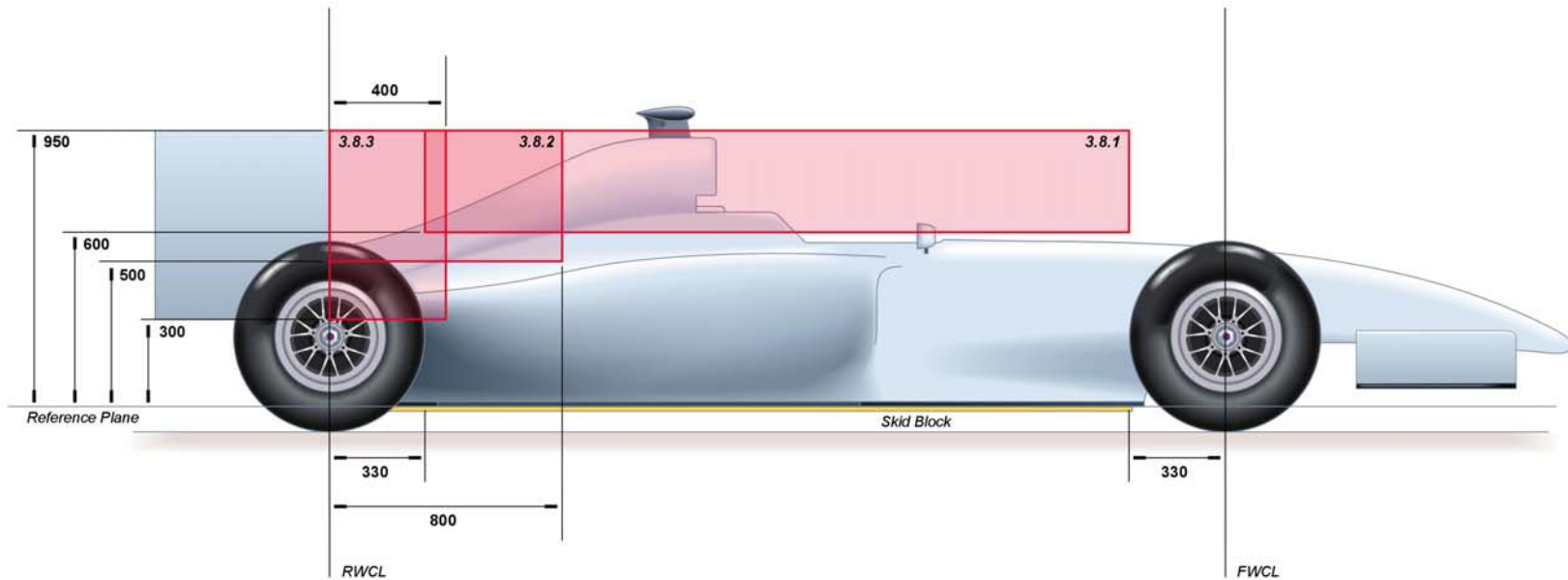


### **3.8 - Bodywork in front of the rear wheels :**

**3.8.1** Other than the rear view mirrors (including their mountings), each with a maximum area of 12000mm<sup>2</sup> and 14000 mm<sup>2</sup> when viewed from directly above or directly from the side respectively, no bodywork situated more than 330mm behind the front wheel centre line and more than 330mm forward of the rear wheel centre line, which is more than 600mm above the reference plane, may be more than 300mm from the car centre line.

**3.8.2** No bodywork between the rear wheel centre line and a line 800mm forward of the rear wheel centre line, which is more than 375mm from the car centre line, may be more than 500mm above the reference plane.

**3.8.3** No bodywork between the rear wheel centre line and a line 400mm forward of the rear wheel centre line, which is more than 375mm from the car centre line, may be more than 300mm above the reference plane.

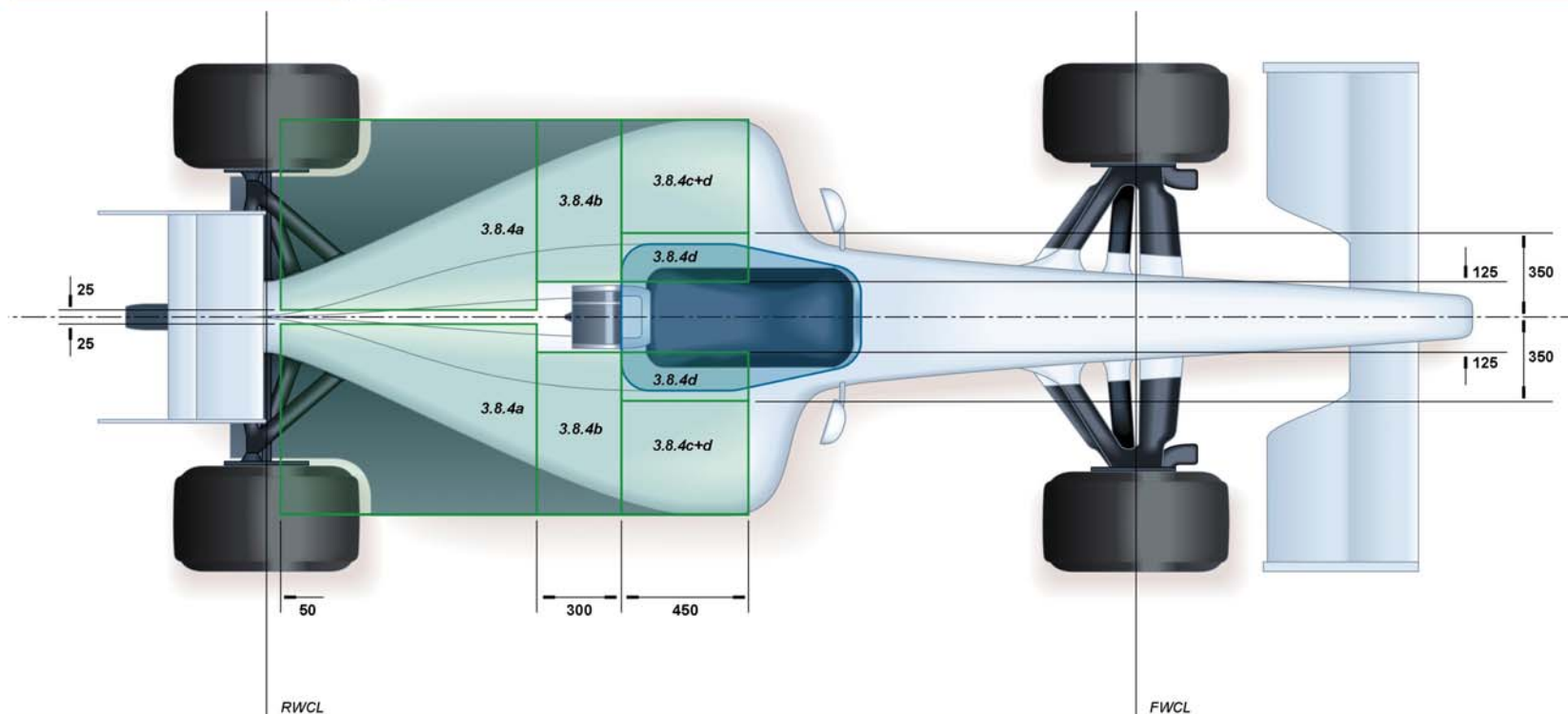


**3.8 - Bodywork in front of the rear wheels :**

**3.8.1** Other than the rear view mirrors (including their mountings), each with a maximum area of 12000mm<sup>2</sup> and 14000 mm<sup>2</sup> when viewed from directly above or directly from the side respectively, no bodywork situated more than 330mm behind the front wheel centre line and more than 330mm forward of the rear wheel centre line, which is more than 600mm above the reference plane, may be more than 300mm from the car centre line.

**3.8.2** No bodywork between the rear wheel centre line and a line 800mm forward of the rear wheel centre line, which is more than 375mm from the car centre line, may be more than 500mm above the reference plane.

**3.8.3** No bodywork between the rear wheel centre line and a line 400mm forward of the rear wheel centre line, which is more than 375mm from the car centre line, may be more than 300mm above the reference plane.

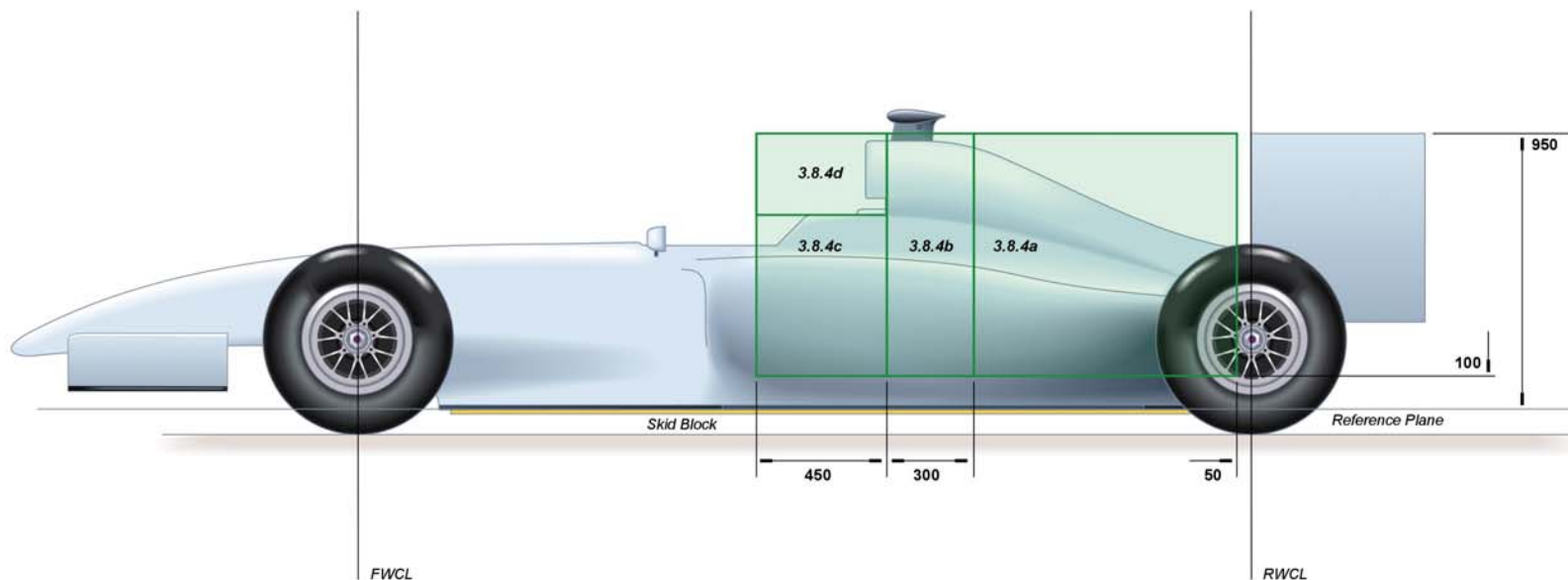


**3.8 Bodywork in Front of the Rear Wheels**

**3.8.4** Any vertical cross section of bodywork normal to the car centre line situated in the volumes defined below must form one tangent continuous curve on its external surface. This tangent continuous curve may not contain any radius less than 75mm :

- a - the volume between 50mm forward of the rear wheel centre line and 300mm rearward of the rear face of the cockpit entry template, which is more than 25mm from the car centre line and more than 100mm above the reference plane ;
- b - the volume between 300mm rearward of the rear face of the cockpit entry template and the rear face of the cockpit entry template, which is more than 125mm from the car centre line and more than 100mm above the reference plane ;
- c - the volume between the rear face of the cockpit entry template and 450mm forward of the rear face of the cockpit entry template, which is more than 350mm from the car centre line and more than 100mm above the reference plane ;
- d - the volume between the rear face of the cockpit entry template and 450mm forward of the rear face of the cockpit entry template, which is more than 125mm from the car centre line and more than 675mm above the reference plane.

The surfaces lying within these volumes, which are situated more than 55mm forward of the rear wheel centre line, must not contain any apertures (other than those permitted by Article 3.8.5) or contain any vertical surfaces which lie normal to the car centre line.



### 3.8 Bodywork in Front of the Rear Wheels

**3.8.4** Any vertical cross section of bodywork normal to the car centre line situated in the volumes defined below must form one tangent continuous curve on its external surface. This tangent continuous curve may not contain any radius less than 75mm :

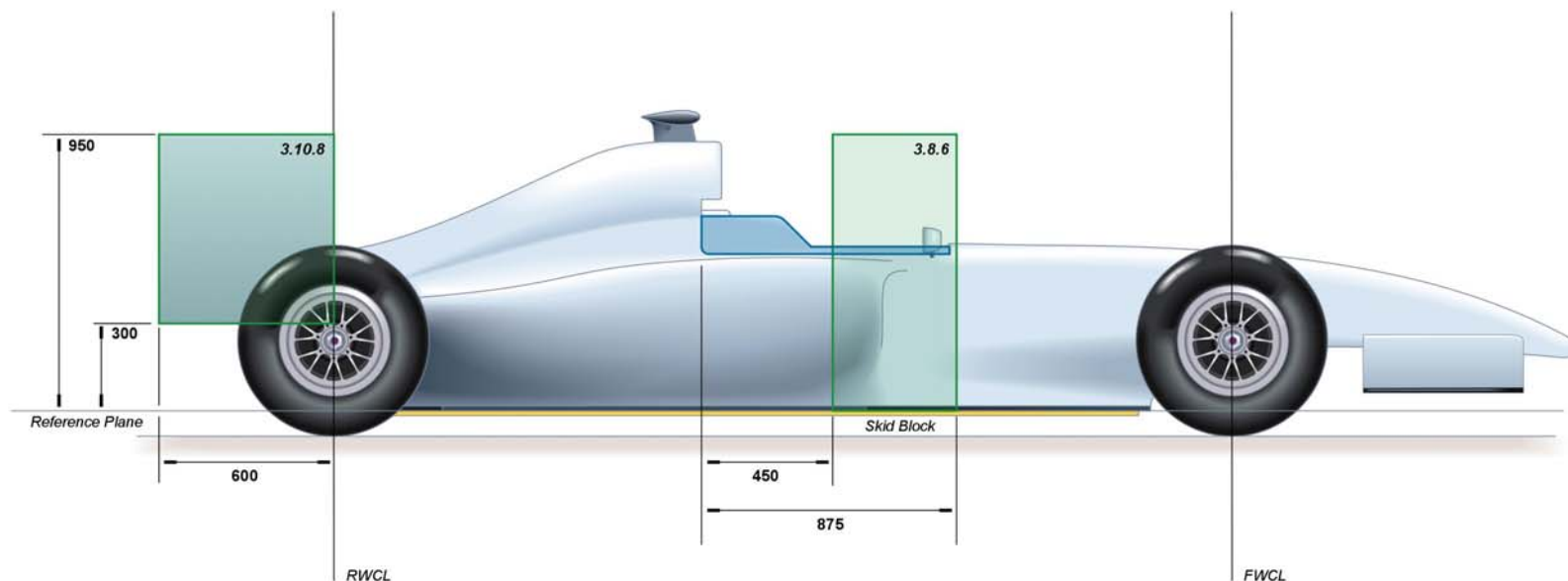
- a - the volume between 50mm forward of the rear wheel centre line and 300mm rearward of the rear face of the cockpit entry template, which is more than 25mm from the car centre line and more than 100mm above the reference plane ;
- b - the volume between 300mm rearward of the rear face of the cockpit entry template and the rear face of the cockpit entry template, which is more than 125mm from the car centre line and more than 100mm above the reference plane ;
- c - the volume between the rear face of the cockpit entry template and 450mm forward of the rear face of the cockpit entry template, which is more than 350mm from the car centre line and more than 100mm above the reference plane ;
- d - the volume between the rear face of the cockpit entry template and 450mm forward of the rear face of the cockpit entry template, which is more than 125mm from the car centre line and more than 675mm above the reference plane.

The surfaces lying within these volumes, which are situated more than 55mm forward of the rear wheel centre line, must not contain any apertures (other than those permitted by Article 3.8.5) or contain any vertical surfaces which lie normal to the car centre line.

## Drawing 10a



## 3.8: Bodywork in front of the Rear Wheels - 3.10: Bodywork Behind the Rear Wheel Centre Line

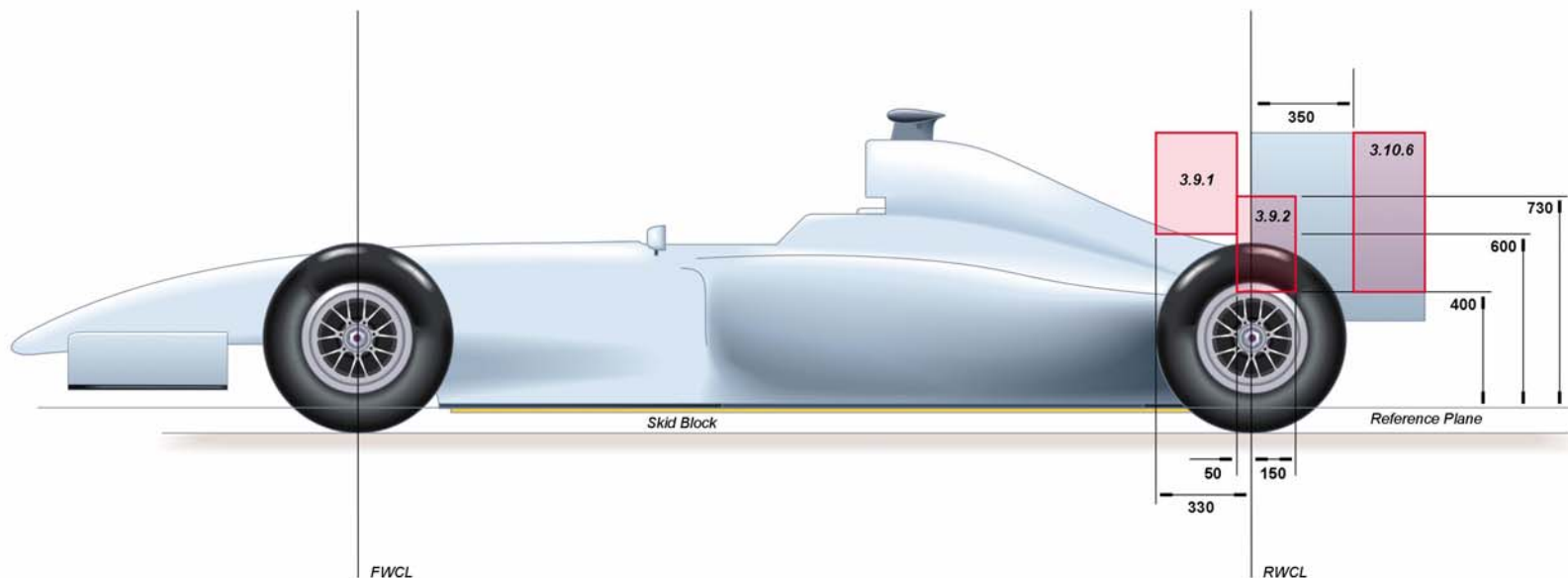


### **3.8 - Bodywork in front of the rear wheels :**

**3.8.6** The impact absorbing structures defined by Article 15.5.2 must be fully enclosed by bodywork, such that no part of the impact structure is in contact with the external air flow. When cut by a longitudinal vertical plane, the bodywork enclosing these impact structures must not form closed sections in the region between 450mm and 875mm forward of the rear edge of the cockpit template.

### **3.10 - Bodywork behind the rear wheel centre line :**

**3.10.8** In side view, the projected area of any bodywork lying between 300mm and 950mm above the reference plane and between the rear wheel centre line and a point 600mm behind it must be greater than 330000mm<sup>2</sup>.



**3.9 - Bodywork between the rear wheels :**

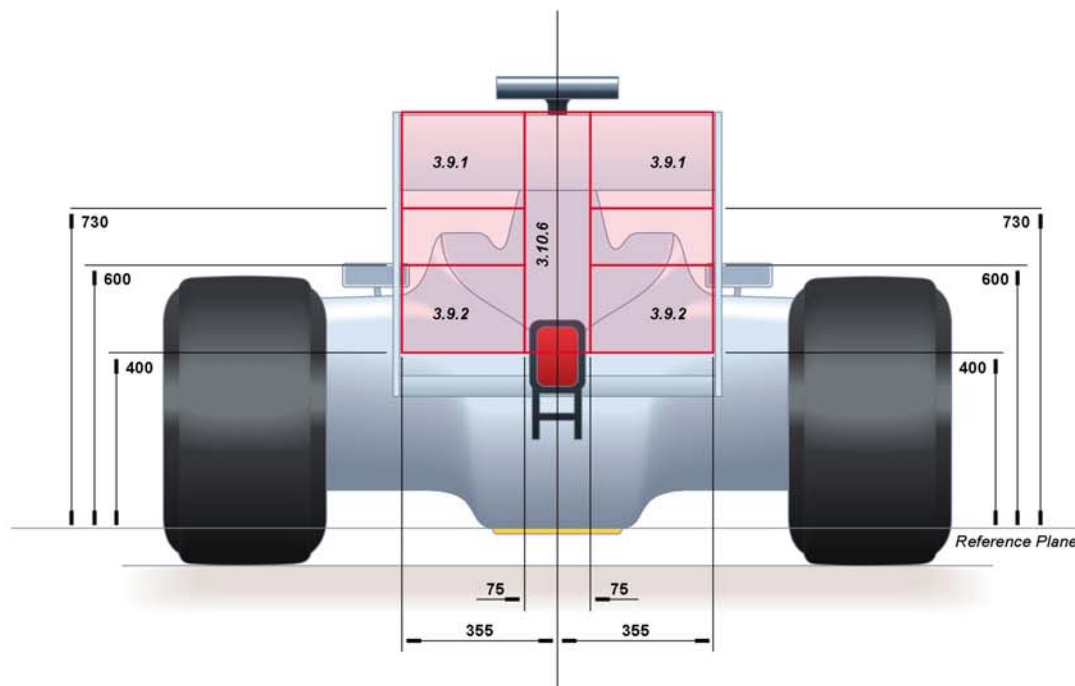
**3.9.1** No bodywork situated between 50mm and 330mm forward of the rear wheel centre line, and which is more than 75mm from the car centre line, may be more than 600mm above the reference plane.

**3.9.2** No bodywork situated between 50mm forward of the rear wheel centre line and 150mm behind the rear wheel centre line, and which is between 75mm and 355mm from the car centre line, may be located between 400mm and 730mm above the reference plane.

**3.10 - Bodywork behind the rear wheel centre line :**

**3.10.6** No part of the car less than 75mm from the car centre line and more than 350mm behind the rear wheel centre line may be more than 400mm above the reference plane.





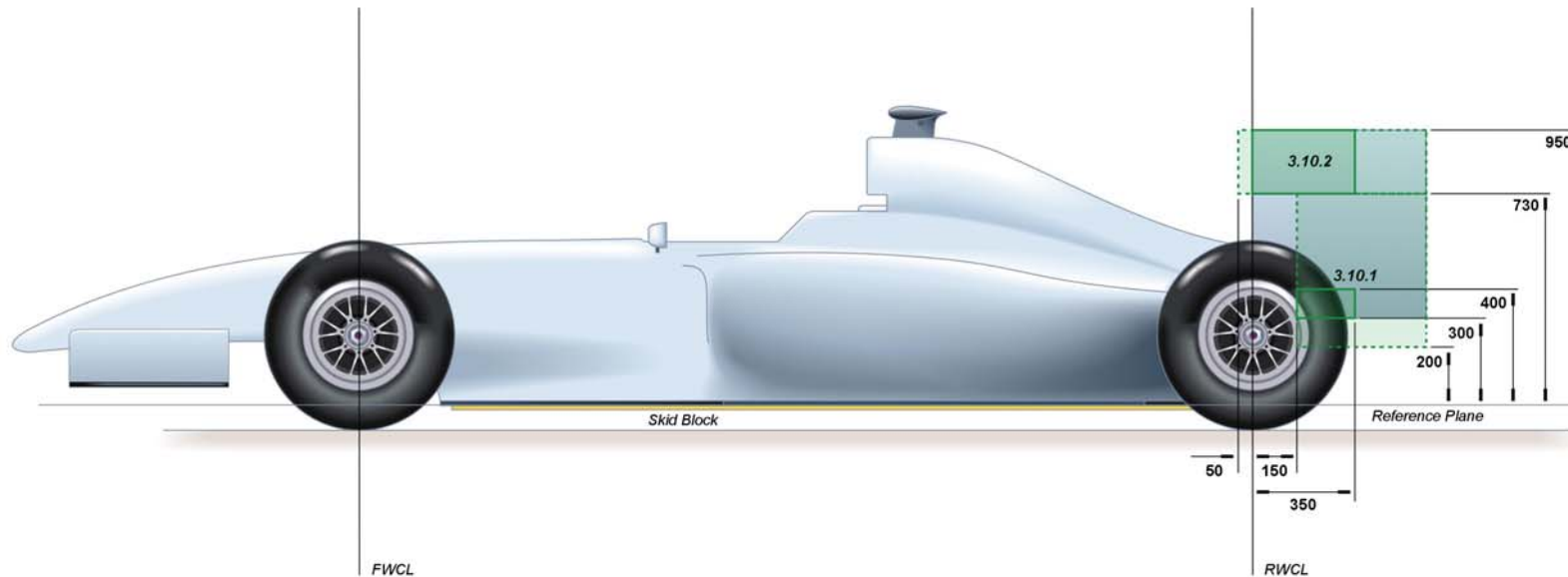
**3.9 - Bodywork between the rear wheels :**

**3.9.1** No bodywork situated between 50mm and 330mm forward of the rear wheel centre line, and which is more than 75mm from the car centre line, may be more than 600mm above the reference plane.

**3.9.2** No bodywork situated between 50mm forward of the rear wheel centre line and 150mm behind the rear wheel centre line, and which is between 75mm and 355mm from the car centre line, may be located between 400mm and 730mm above the reference plane.

**3.10 - Bodywork behind the rear wheel centre line :**

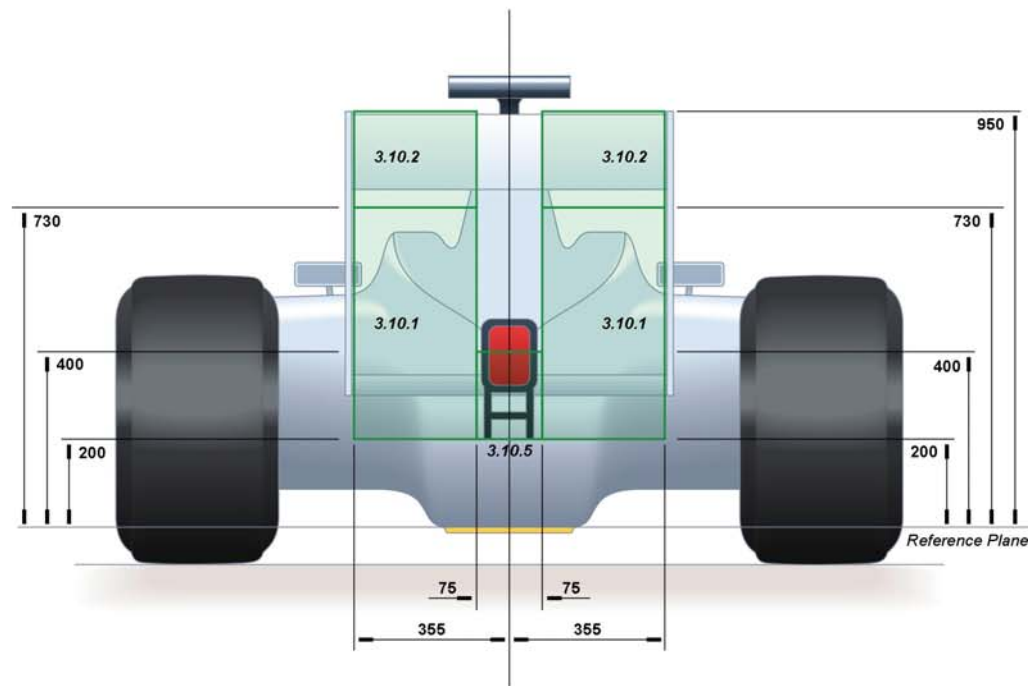
**3.10.6** No part of the car less than 75mm from the car centre line and more than 355mm behind the rear wheel centre line may be more than 400mm above the reference plane.



**3.10 Bodywork behind the rear wheel centre line**

**3.10.1** Any bodywork more than 150mm behind the rear wheel centre line which is between 200mm and 730mm above the reference plane, and between 75mm and 355mm from the car centre line, must lie in an area when viewed from the side of the car that is situated between 150mm and 350mm behind the rear wheel centre line and between 300mm and 400mm above the reference plane. When viewed from the side of the car no longitudinal cross section may have more than one section in this area.

**3.10.2** Any bodywork behind a point lying 50mm forward of the rear wheel centre line which is more than 730mm above the reference plane, and between 75mm and 355mm from the car centre line, must lie in an area when viewed from the side of the car that is situated between the rear wheel centre line and a point 350mm behind it. When viewed from the side of the car, no longitudinal cross section may have more than two closed sections in this area. Furthermore, the distance between adjacent sections at any longitudinal plane must not exceed 15mm at their closest position.



**3.10 - Bodywork behind the rear wheel centre line :**

**3.10.1** Any bodywork more than 150mm behind the rear wheel centre line which is between 200mm and 730mm above the reference plane, and between 75mm and 355mm from the car centre line, must lie in an area when viewed from the side of the car that is situated between 150mm and 350mm behind the rear wheel centre line and between 300mm and 400mm above the reference plane. When viewed from the side of the car no longitudinal cross section may have more than one section in this area.

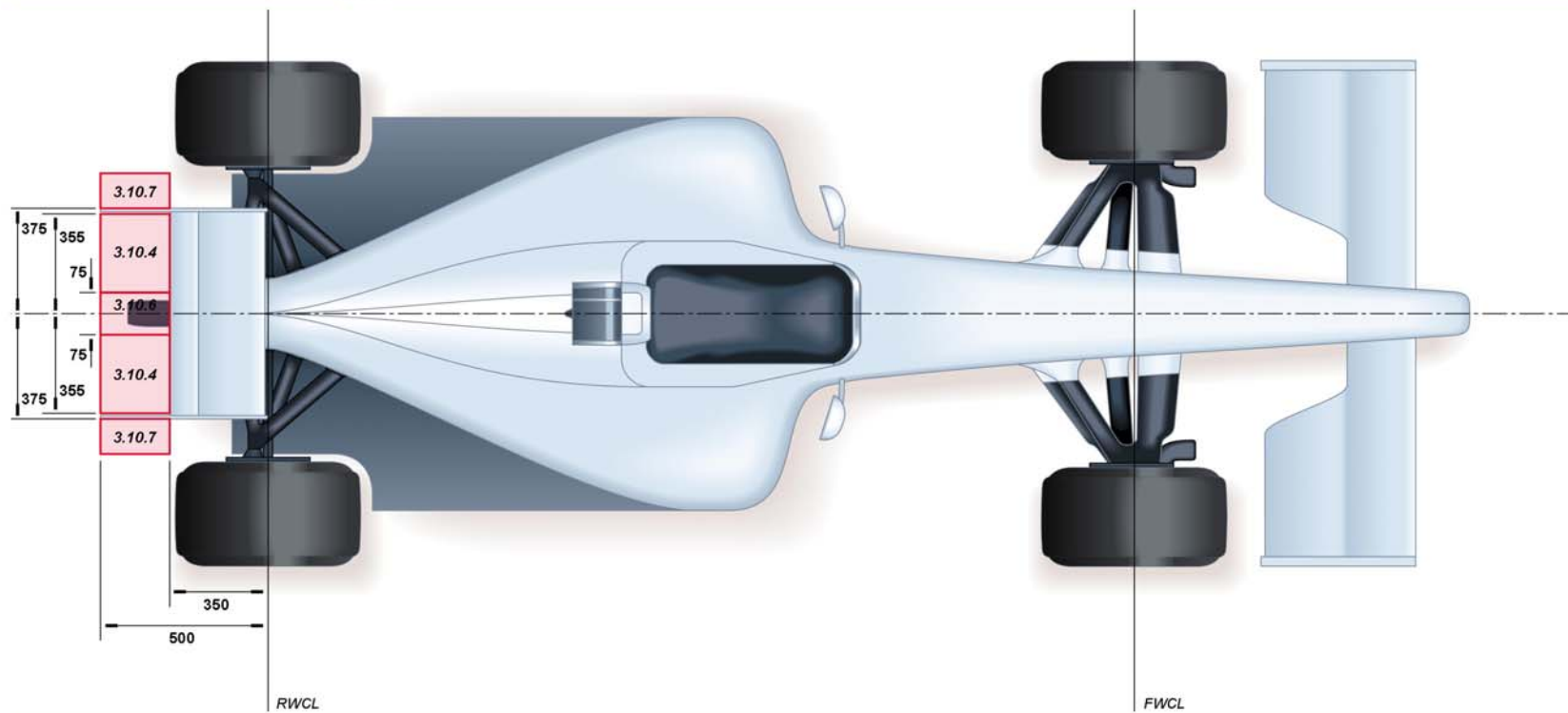
**3.10.2** Any bodywork behind a point lying 50mm forward of the rear wheel centre line which is more than 730mm above the reference plane, and between 75mm and 355mm from the car centre line, must lie in an area when viewed from the side of the car that is situated between the rear wheel centre line and a point 350mm behind it. When viewed from the side of the car, no longitudinal cross section may have more than two closed sections in this area.  
Furthermore, the distance between adjacent sections at any longitudinal plane must not exceed 15mm at their closest

**3.10.5** Any parts of the car less than 75mm from the car centre line and more than 500mm behind the rear wheel centre line must be situated between 200mm and 400mm above the reference plane.

## Drawing 15a



## 3.10: Bodywork behind the Rear Wheel Centre Line

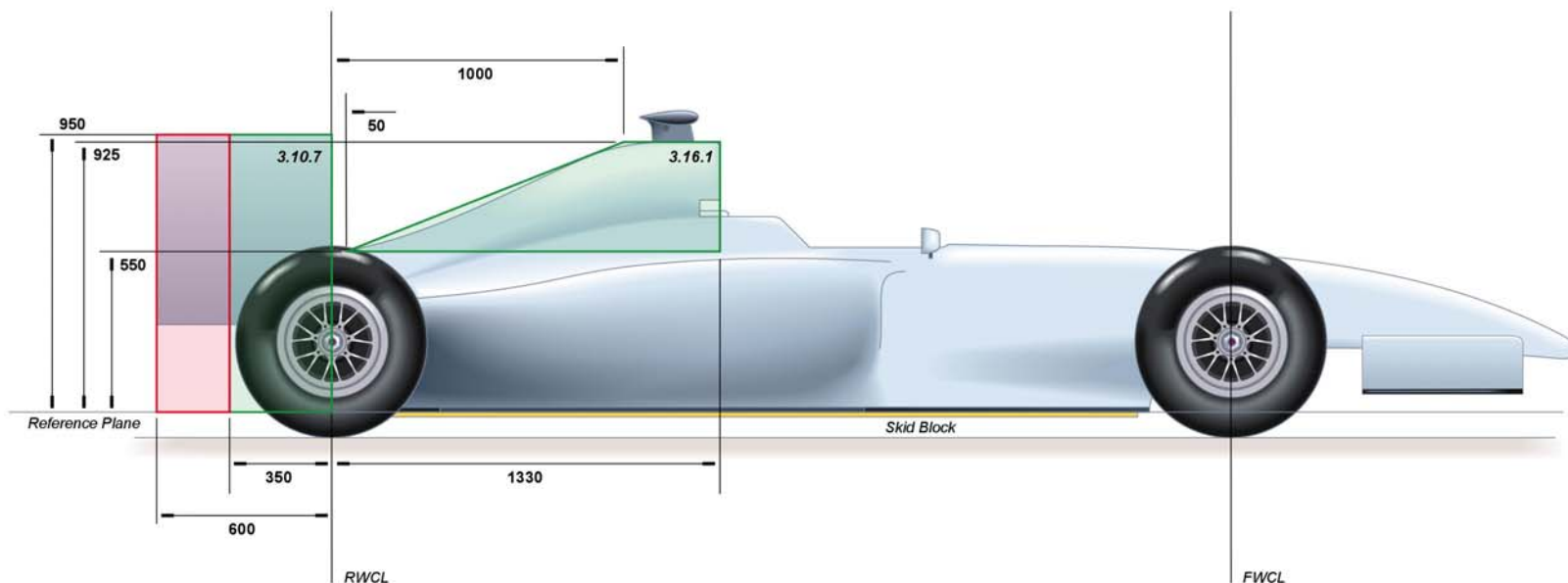


### **3.10 - Bodywork behind the rear wheel centre line :**

**3.10.4** No part of the car between 75mm and 355mm from the car centre line may be more than 350mm behind the rear wheel centre line.

**3.10.6** No part of the car less than 75mm from the car centre line and more than 350mm behind the rear wheel centre line may be more than 400mm above the reference plane.

**3.10.7** No part of the car more than 375mm from the car centre line may be more than 350mm behind the rear wheel centre line.



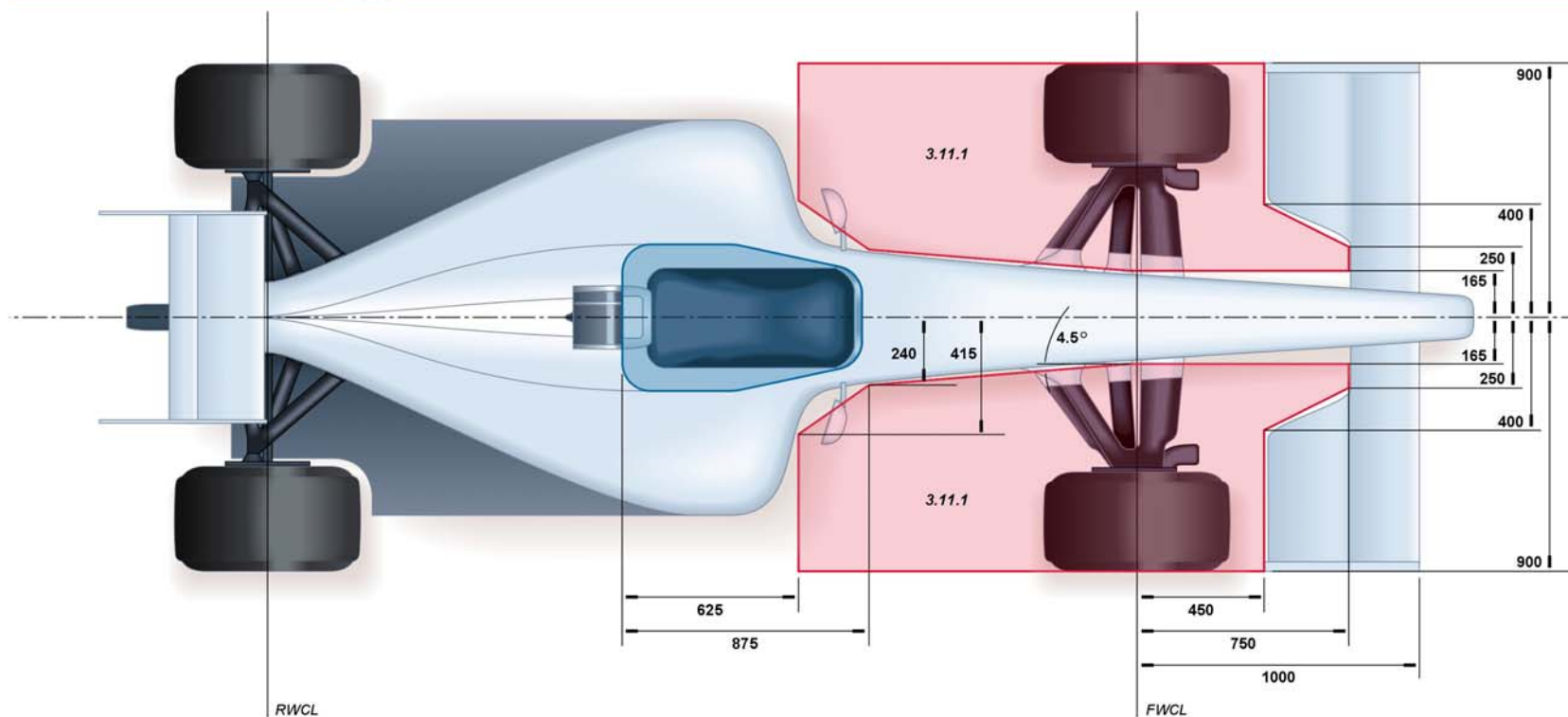
**3.10 Bodywork behind the rear wheel centre line :**

**3.10.7** No part of the car more than 375mm from the car centre line may be more than 350mm behind the rear wheel centre line.

**3.16 Upper Bodywork :**

**3.16.1** With the exception of the opening described in Article 3.16.3, when viewed from the side, the car must have bodywork in the area bounded by four lines. One vertical 1330mm forward of the rear wheel centre line, one horizontal 550mm above the reference plane, one horizontal 925mm above the reference plane and one diagonal which intersects the 925mm horizontal at a point 1000mm forward of the rear wheel centre line.

Bodywork within this area must be arranged symmetrically about the car centre line and, when measured 200mm vertically below the diagonal boundary line, must have minimum widths of 150mm and 50mm respectively at points lying 1000mm and 50mm forward of the rear wheel centre line and at the rear wheel centre line. This bodywork must lie on or outside the boundary defined by a linear taper between these minimum widths.



**3.11 - Bodywork Around the Front Wheels :**

- 3.11.1** With the exception of the air ducts described in Article 11.4 and the mirrors described in Article 3.8.1, in plan view, there must be no bodywork in the area formed by the intersection of the following lines :
- a longitudinal line parallel to and 900mm from the car centre line ;
  - a transverse line 450mm forward of the front wheel centre line ;
  - a diagonal line from 450mm forward of the front wheel centre line and 400mm from the car centre line to 750mm forward of the front wheel centre line and 250mm from the car centre line ;
  - a transverse line 750mm forward of the front wheel centre line ;
  - a longitudinal line parallel to and 165mm from the car centre line ;
  - a diagonal line running forwards and inwards, from a point 875mm forward of the rear face of the cockpit entry template and 240mm from the car centre line, at an angle of 4.5 degrees to the car centre line
  - a diagonal line from 875mm forward of the rear face of the cockpit entry template and 240mm from the car centre line to 625mm forward of the rear face of the cockpit entry template and 415mm from the car centre line ;
  - a transverse line 625mm forward of the rear face of the cockpit entry template.

For reference this area is shown in Drawing 17a.