

approved by the maker of the chassis may be admitted. For cars whose body has been made outside the main factory, there will have to be at least 1,000 units assembled within a period of 12 consecutive months and said cars will be subject to a separate recognition.

259—Number and dimensions of seats

Series Touring cars shall offer the number of seats provided by the manufacturer. This number shall be at least TWO when the engine cylinder capacity is inferior or equal to 1000 cc., and at least FOUR when the engine cylinder capacity exceeds 1000 cc. Shall count as seats only those arranged by the coachwork manufacturer to the effect of accommodating passengers and driver. These seats shall have the following minimum dimensions as indicated on sketch below:

(a) is always measured horizontally and parallel to the longitudinal axis of the chassis, between two vertical planes perpendicular to the longitudinal axis and delimiting from front to rear the open space on a level with the height where such measurement is taken.

For a driver seat (a) is measured at floor level, or at the bottom of any recess, from the perpendicular of the nearest pedal at rest.

For a passenger seat (a) is measured at 20 cm. above floor level or the bottom of recesses if need be.

In the case of movable seats their position shall not be altered when measurements are taken.

(b) is measured vertically from the rear end of (a) to the horizontal plane tangent to the highest part of the cushion, as shown on the sketch.

(c) is measured in the horizontal plane defined above from the upper end of (b), parallel to (a) and in the centre of each seat, as far as the vertical plane perpendicular to the longitudinal axis of the chassis and tangent to the foremost point of the back of the seat.

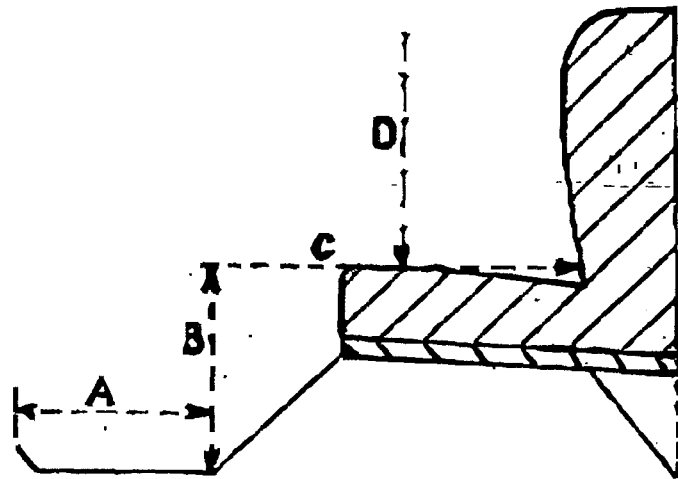
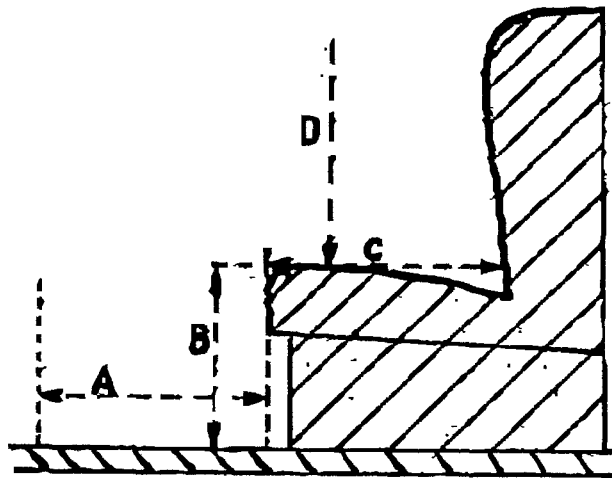
Backs of seats shall have a minimum height of 30 cm. measured vertically from the rear end of (c).

The coachwork must be planned in order to obtain:

(a)+(b)+(c)=1.10 m. minimum.

The minimum width for foot space for each person shall be 25 cm. measured perpendicularly to the longitudinal axis of the chassis.

Shall not be recognised as four-seaters, cars comprising inside the coachwork 2 normal seats and a back space fitted for the transport of dogs or luggage, even if the dimensions of said space enable the occasional transport of passengers.



On the other hand, and unless Supplementary Regulations of an event prescribe that all seats provided by the manufacturer must be occupied during said event, the normal disposition of seats may be subject to all kinds of modifications intended to improve the comfort of the occupants (transformation of the seats or their replacement by others) providing there is no reduction in the number or the comfort of the seats provided by the manufacturer.

260—Minimum Weight

The official weight of a car shall be entered on the recognition form of the considered model. This weight shall be obtained by taking the average of the actual weighing results of 5 closed cars of the same model, selected at random and weighed in the following conditions: with the spare wheel provided by the manufacturer and with a tyre which is the same as those mounted on at least two wheels of the vehicle, with full oil tank, and full water tank (if such is the case), but without fuel, tools, luggage or anyone aboard.

When the weight is being checked at scrutineering a tolerance of minus 5% as compared with the weight entered on the recognition form will